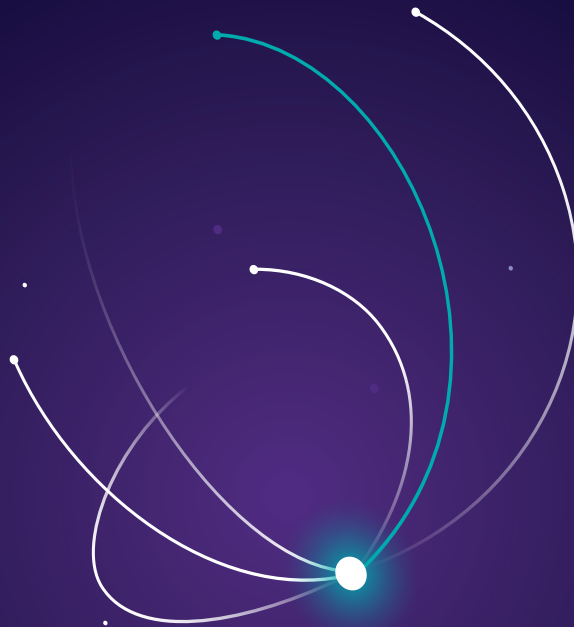


SPS2S 245 kV

High Voltage Dead Tank Circuit Breakers

[siemens-energy.com](https://www.siemens-energy.com)



Globally standardized design

Siemens Energy SPS2S 245 kV dead tank circuit breakers utilize the time-tested FA spring-spring operating mechanism and 3AP arc assist interrupter common to the entire SPS2 portfolio.

Siemens Energy has delivered over 160,000 breakers worldwide, with over 46,000 SPS2 circuit breakers to the US market alone since release in 1997.

Standard features

- No TRV capacitors necessary for breakers rated up to 63 kA
- 2 or 3 cycle interrupting time options
- Ships fully assembled and factory tested
- No in-field adjustments and virtually no maintenance

Application-based customizations

- Independent pole operation (IPO) and phase synchronizing device (PSD) for reliable point-on-wave switching
- High seismic designs (per IEEE 693)
- Tank heaters for operation to -50° C
- Composite bushings
- Etc. – Please contact your local Siemens Energy representative

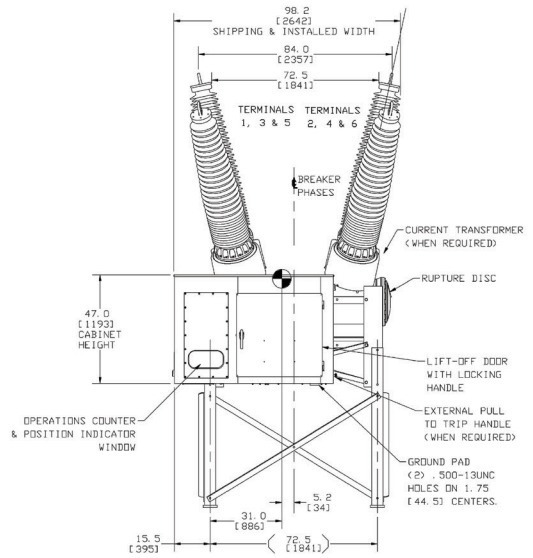
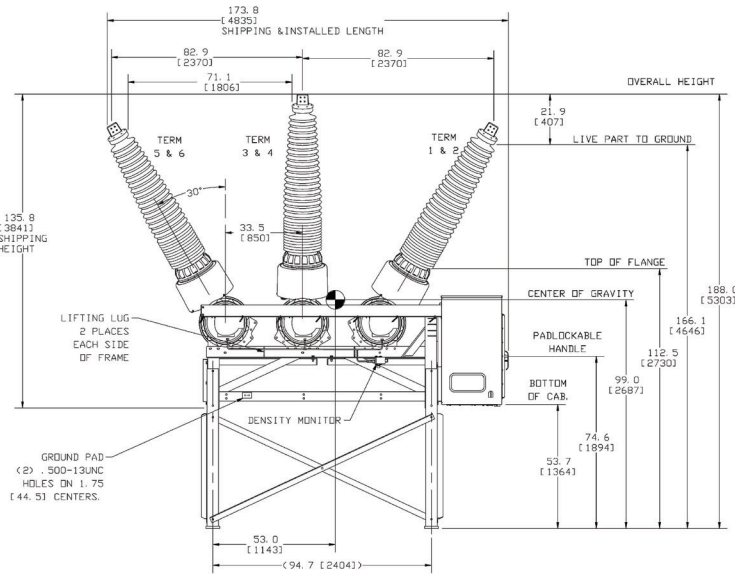
Ratings

Type	Related max kV	Rated continuous current (A, rms)	Rated short circuit current at rated (kA)	Interrupting time (cycles)	Lightning impulse withstand voltage BIL, (kV)	Chopped wave, 2 μ s (kA)	Closing and latching capability (kA)
SPS2S-245	245	up to 4000	up to 63	2 or 3	Up to 1050	1160	up to 170
SPS2-245	245	up to 4000	up to 90	2 or 3	Up to 1050	1160	up to 234

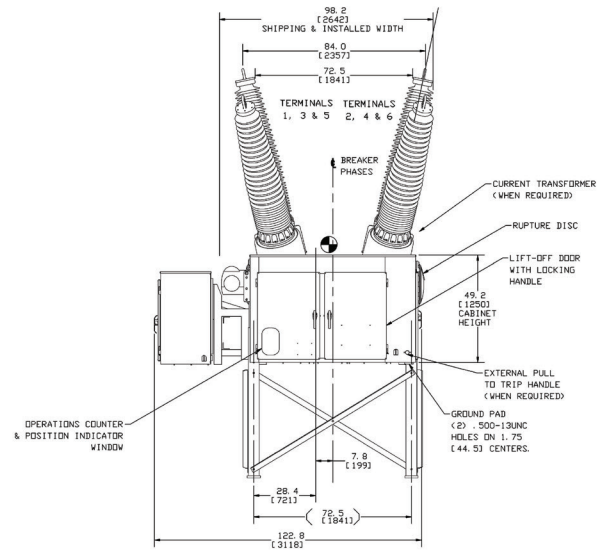
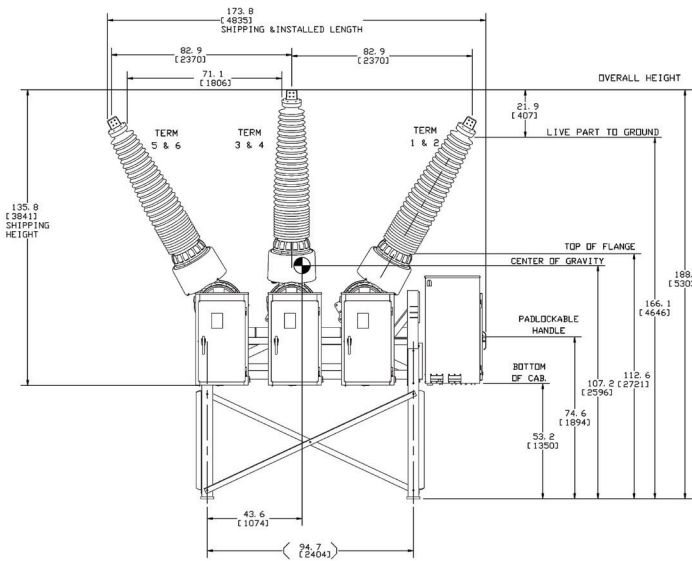
Supplementary specifications		Standard	Custom
Operating temperature range	[C]	-30 to 55	-50 to 55
Rated reclosing time	cycles	12	–
Rated duty cycle	–	OCO – 15s – CO (no derating)	–
External creep	[in]	215	241
Breaker weight	[lb]	12,000	–
SF ₆ weight / pressure	[lb/psi]	162 / 87	–
Seismic withstand	–	IEEE 693	IEEE 693 (high)
Mechanical endurance	–	Class M2	–
Capacitive switching	–	Class C2	–
Motor voltage	[V _{dc}]	48/125/250	–
	[V _{ac}]	120/240	–
Auxiliary voltage	[V _{ac}]	120/240	–
Trip and close coil rating	[V _{dc}]	48/125/250	–

SPS2S 245 kV Dimensions

SPS2-245



SPS2-245, 90 kA IPC



Published by

Siemens Energy, Inc.
444 Hwy 49 South
Richland, MS 39218

Siemens Technical Support: 1-888-703-1175
www.siemens-energy.com

Printed in USA
All Rights Reserved

The technical data presented in this document is based on an actual case or on as-designed parameters, and therefore should not be relied upon for any specific application and does not constitute a performance guarantee for any projects. Actual results are dependent on variable conditions. Accordingly, Siemens does not make representations, warranties, or assurances as to the accuracy, currency or completeness of the content contained herein. If requested, we will provide specific technical data or specifications with respect to any customer's particular applications. Our company is constantly involved in engineering and development. For that reason, we reserve the right to modify, at any time, the technology and product specifications contained herein.

© 2021 Siemens Energy