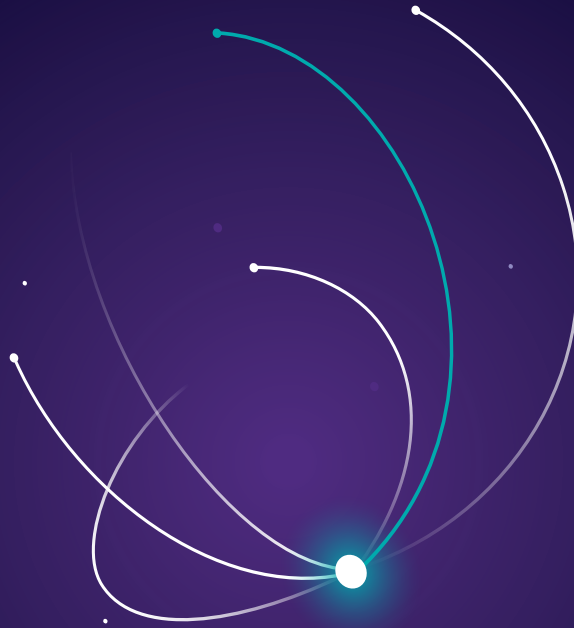


SPS2 550 kV

SF₆ High Voltage
Dead Tank Circuit
Breakers

[siemens-energy.com](https://www.siemens-energy.com)



Globally standardized design

Siemens Energy SPS2S 550 kV dead tank circuit breakers utilize the time-tested FA spring- spring operating mechanism and 3AP arc assist interrupter common to the entire SPS2 portfolio.

Siemens Energy has delivered over 160,000 breakers worldwide, with over 46,000 SPS2 circuit breakers to the US market alone since release in 1997.

Standard features

- No TRV capacitors necessary for breakers rated up to 63 kA
- Higher X/R ratio so higher reliability
- 2-cycle interrupting time
- Ships with CTs and CT covers installed
- No adjustments and virtually no maintenance

Application-based customizations

- Phase synchronizing device (PSD) for reliable point-on-wave switching
- High seismic designs (per IEEE 693)
- High Altitude applications
- Pre-insertion resistors
- Plug-and-play control wiring
- Composite bushings
- Etc. – Please contact your local Siemens Energy representative

Ratings

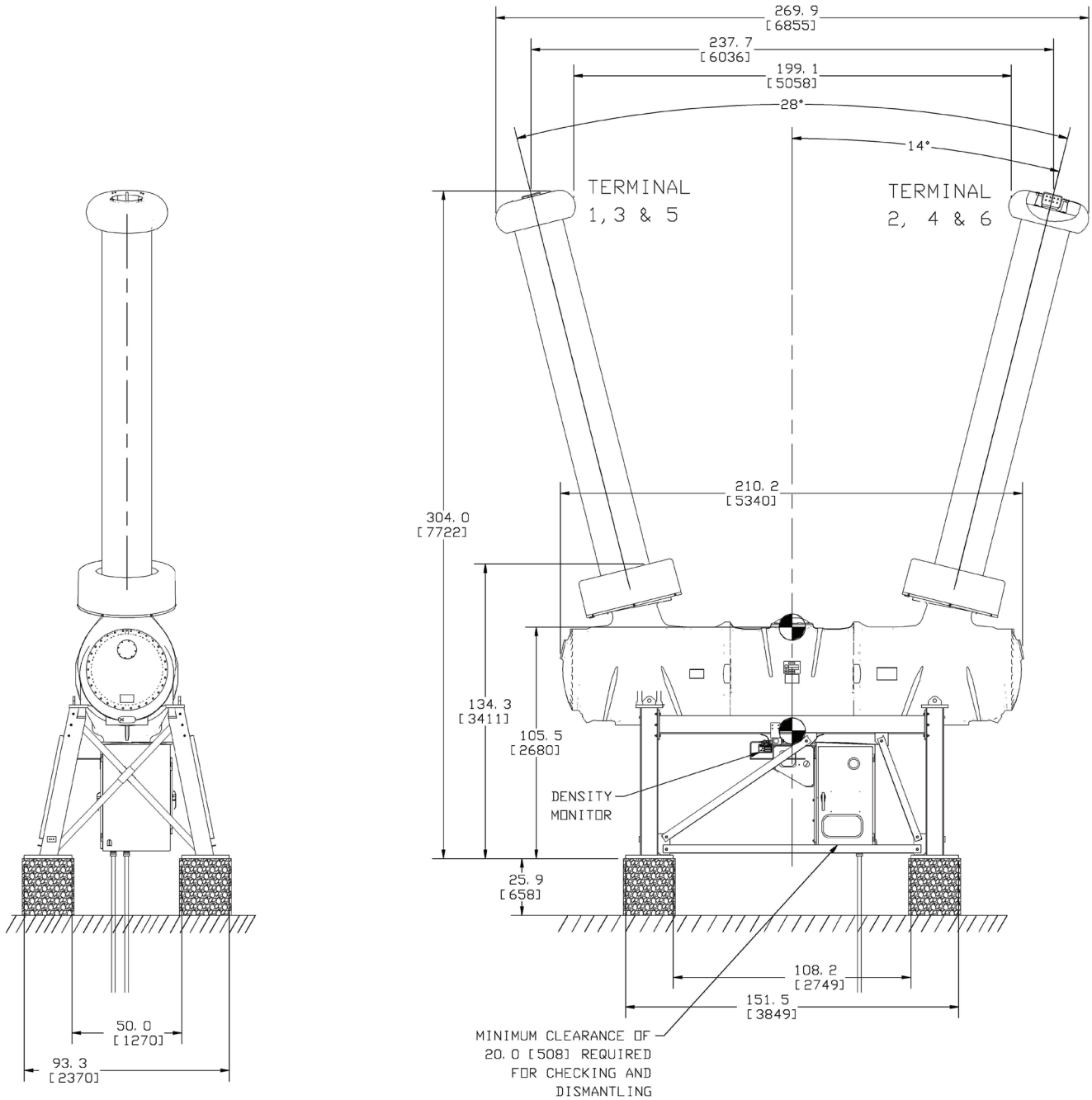
Type	Related max kV	Rated continuous current (A, rms)	Rated short circuit current at rated (kA)	Interrupting time (cycles)	Lightning impulse withstand voltage BIL, (kV)	Chopped wave, 2 μ s (kA)	Closing and latching capability (kA)
SPS2-550	550	up to 5000	up to 63	2	Up to 1800	2320	up to 170

Supplementary specifications

		Standard
Operating temperature range	[C]	-30 to 55
Rated reclosing time	cycles	12
Rated duty cycle	–	OCO – 15s – CO (no derating)
External creep	[in]	671
Breaker weight	[lb]	5,688 (per phase)
SF ₆ weight / pressure	[lb/psi]	1590 / 81
Seismic withstand	–	IEEE 693 (high)
Mechanical endurance	–	Class M2
Capacitive switching	–	Class C2
Motor voltage	[V _{dc}]	48/125/250
	[V _{ac}]	120/240
Auxiliary voltage	[V _{ac}]	120/240
Trip and close coil rating	[V _{dc}]	48/125/250

SPS2 550 kV Dimensions

SPS2-550



Published by

Siemens Energy, Inc.
444 Hwy 49 South
Richland, MS 39218

Siemens Technical Support: 1-888-703-1175
usa.siemens-energy.com

Printed in USA
All Rights Reserved

The technical data presented in this document is based on an actual case or on as-designed parameters, and therefore should not be relied upon for any specific application and does not constitute a performance guarantee for any projects. Actual results are dependent on variable conditions. Accordingly, Siemens does not make representations, warranties, or assurances as to the accuracy, currency or completeness of the content contained herein. If requested, we will provide specific technical data or specifications with respect to any customer's particular applications. Our company is constantly involved in engineering and development. For that reason, we reserve the right to modify, at any time, the technology and product specifications contained herein.

© 2021 Siemens Energy