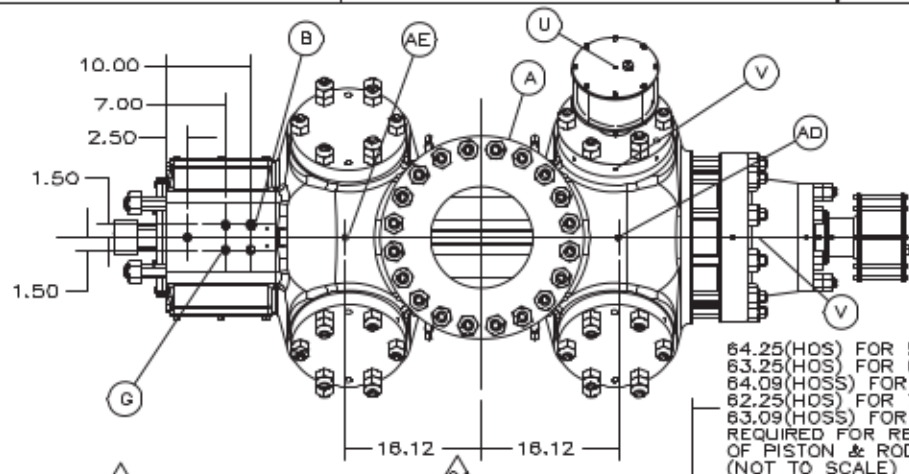
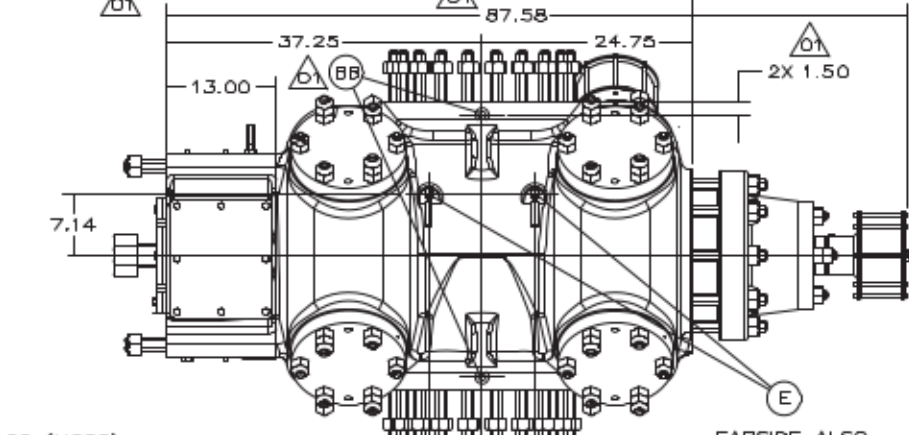


REVISIONS				
ZONE	REV	DESCRIPTION	DATE	APPROVED
	01	ADDED .75 NPT RTD CONN (1.00") 87.68 DIM WAR 85.83 FCN08R0283	19NOV08	KMD/BAE



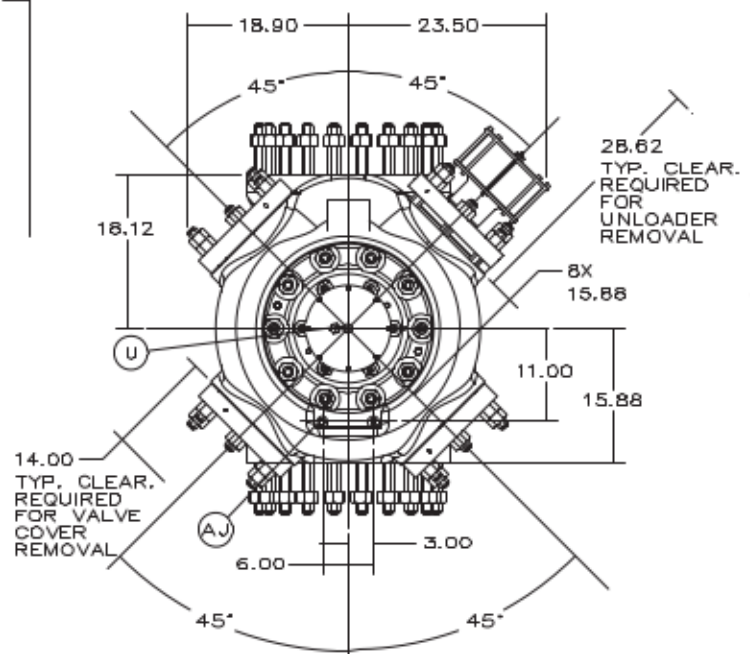
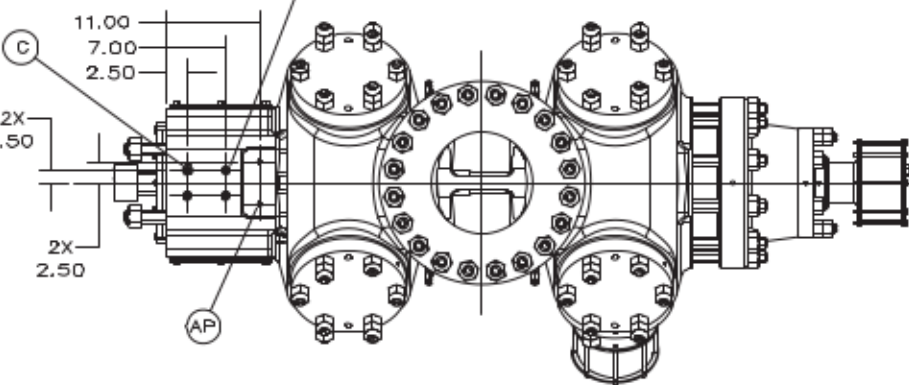
- A) 12.00"-90# FF FLANGE CONN-INLET/TOP AND DISCHARGE/BOTTOM  
20X-1.375 STUDS ON #21.000 B.C. #24.00 FLANGE
- B) .25 NPT PACKING LUBE CONN ----- TOP
- .25 NPT PACKING VENT/DRAIN CONN ----- BOTTOM
- .75 NPT YOKE DRAIN/PURGE CONN ----- BOTTOM
- .25 NPT CYLINDER LUBE CONN (4X) ----- TOP
- .75 NPT YOKE VENT CONN ----- TOP
- .25 NPT UNLOADER AIR CONN ----- TOP
- .25 NPT UNLOADER VENT TO NON-HAZARDOUS AREA --- TOP
- AD) .50 NPT OUTER END INDICATOR CONN ----- TOP
- AE) .50 NPT FRAME END INDICATOR CONN ----- TOP
- AJ) .750-10UNC-3B THD CYL. SUPPORT ----- BOTTOM SIDE
- AP) .825-11UNC-3B THD YOKE SUPPORT ----- BOTTOM
- BB) .75 NPT RTD CONN. (IF REQUIRED) (MAX. INSERTION DEPTH-16.50")

64.25(HOS) FOR 5" STROKE  
 63.25(HOS) FOR 6" STROKE  
 64.09(HOSS) FOR 6" STROKE  
 62.25(HOS) FOR 7" STROKE  
 63.09(HOSS) FOR 7" STROKE  
 REQUIRED FOR REMOVAL  
 OF PISTON & ROD  
 (NOT TO SCALE)



71.00 (HOSS)  
 67.75 (HOS)  
 TO COMPR. SHAFT AND FRAME  
 CENTERLINE  
 (NOT TO SCALE)

FARSIDE ALSO



28.62  
 TYP. CLEAR.  
 REQUIRED  
 FOR  
 UNLOADER  
 REMOVAL

14.00  
 TYP. CLEAR.  
 REQUIRED  
 FOR VALVE  
 COVER  
 REMOVAL

TOTAL WEIGHT: APPROX 8500 LBS.

CHG TO: 149				
THIRD ANGLE PROJECTION		SIZE 11.00-13.50	STROKE 5.0/6.0/7.0	TYPE HOS/HOSS
DRAWN DL SYMONS	DATE 17APR08	NAME OF PART		
CHECKED R.A. BENNITT	DATE 17APR08	OUTLINE - HP/PIPELINE CYLINDER		
APPROVED R.A. BENNITT	DATE 18APR08	SIZE C	FEDERAL SUPPLY CODE	DWG NO. HHH01174
UC PART				REV. 01
SCALE 3:32		WT. ABOVE	SHEET 1 OF 1	

DWG NO. HHH01174 SH 1

FORM NUMBER 000