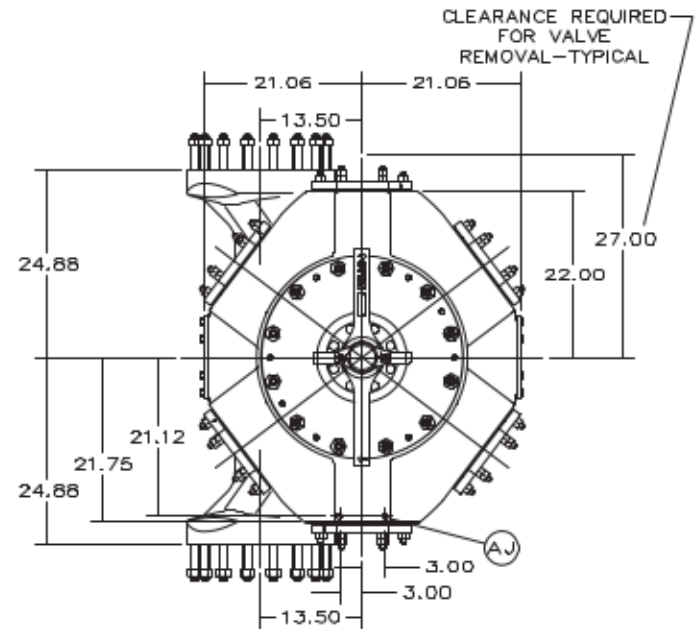
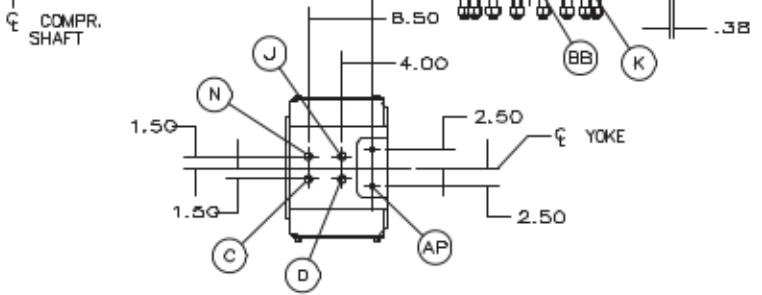
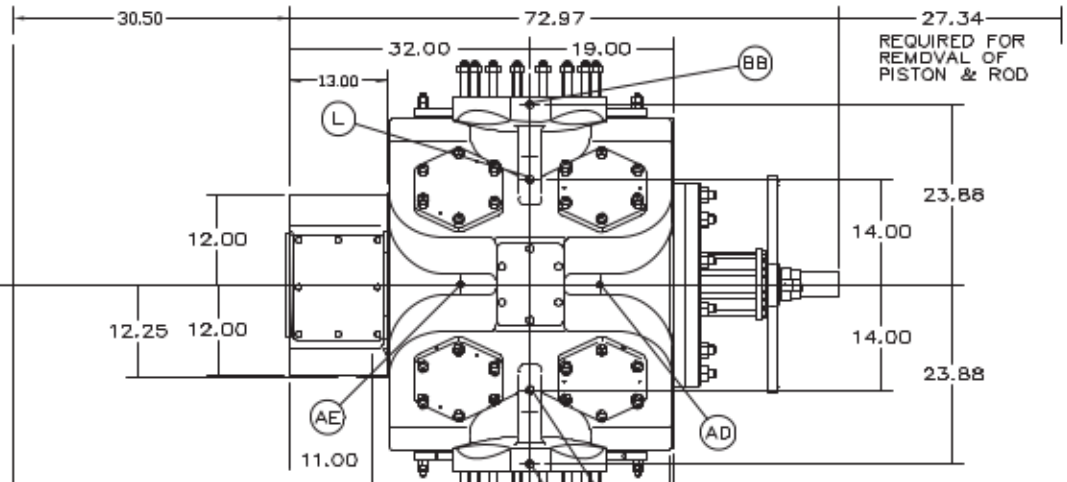
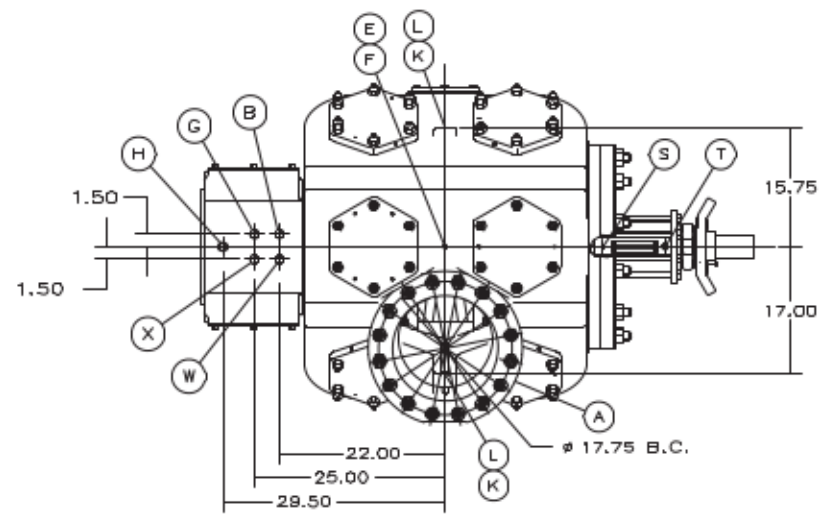


REVISIONS				
ZONE	REV	DESCRIPTION	DATE	APPROVED

- A) 12.00"-300# FF FLANGE CONN-INLET TOP & DISCH BOTTOM
- 16-1.125 BOLTS ON 17.750 DIA B.C. 20.50 FLANGE DIA
- B) .25 NPT --- PACKING LUBE CONN ----- TOP
- C) .25 NPT --- PACKING VENT/DRAIN CONN ----- BOTTOM
- D) .75 NPT --- YOKE DRAIN CONN ----- BOTTOM
- E) .25 NPT --- CYL BORE LUBE CONN ----- TOP
- F) .25 NPT --- CYL BORE LUBE CONN ----- BOTTOM
- G) .75 NPT --- YOKE VENT/PURGE CONN (IF REQUIRED)----- TOP
- H) .38 NPT --- PACKING COOLANT OUT CONN (IF REQUIRED)----- TOP
- J) .38 NPT --- PACKING COOLANT IN CONN (IF REQUIRED)----- BOTTOM
- K) .75 NPT --- CYL COOLANT INLET CONN (IF REQUIRED)----- BOTTOM
- L) .75 NPT --- CYL COOLANT DISCH CONN (IF REQUIRED)----- TOP
- N) .75 NPT --- SPARE CONN ----- BOTTOM
- S) .125 NPT --- VVCP ROD PKG VENT TO NON-HAZ AREA ----- TOP
- T) .125 NPT --- GREASE FITTING ----- TOP
- W) .25 NPT --- SCRAPER PURGE CONN (IF REQUIRED)----- TOP
- X) .25 NPT --- PACKING PURGE CONN (IF REQUIRED)----- TOP
- AD) .50 NPT --- OUTER END INDICATOR CONN ----- SIDE
- AE) .50 NPT --- FRAME END INDICATOR CONN ----- SIDE
- AJ) .750-10UNC-3B THD, CYLINDER SUPPORT ----- BOTTOM
- AP) .625-11UNC-3B THD, YOKE SUPPORT ----- BOTTOM
- BB) .75 NPT --- RTD CONN. (IF REQUIRED)



TOTAL WEIGHT: APPROX. 6500 LBS

CHG TO: 72 124 149				
THIRD ANGLE PROJECTION		SIZE	STROKE	TYPE
DRAWN K.DAVISON		22.00	ALL	HOSS
NAME OF PART				
OUTLINE - CYLINDER W/VVCP				
CHECKED B.BENNETT	DATE 2008F09	SIZE	FEDERAL SUPPLY CODE	DWG NO.
APPROVED B.BENNETT	DATE 2008F09	C		HIH02253
UG PART		SCALE 1:12	WT. ---	REV. 00
		SHEET 1 OF 1		

DWG NO. HIH02253 SH 1

2008-09-11 14:00