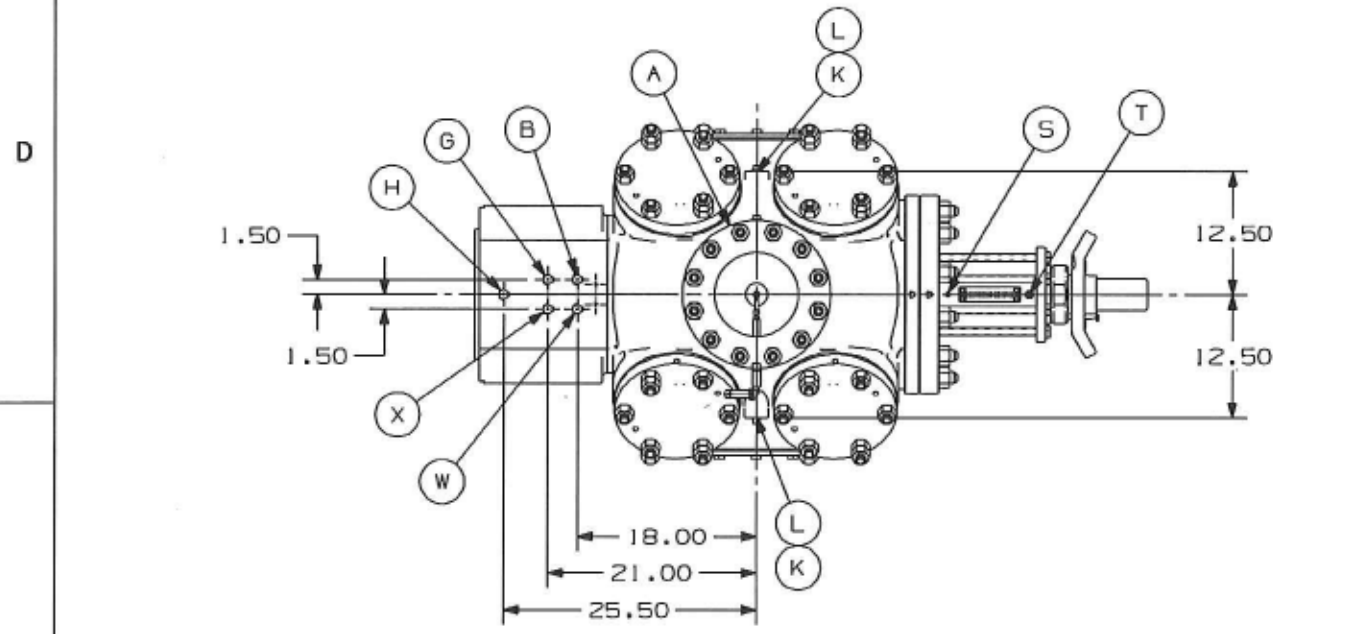
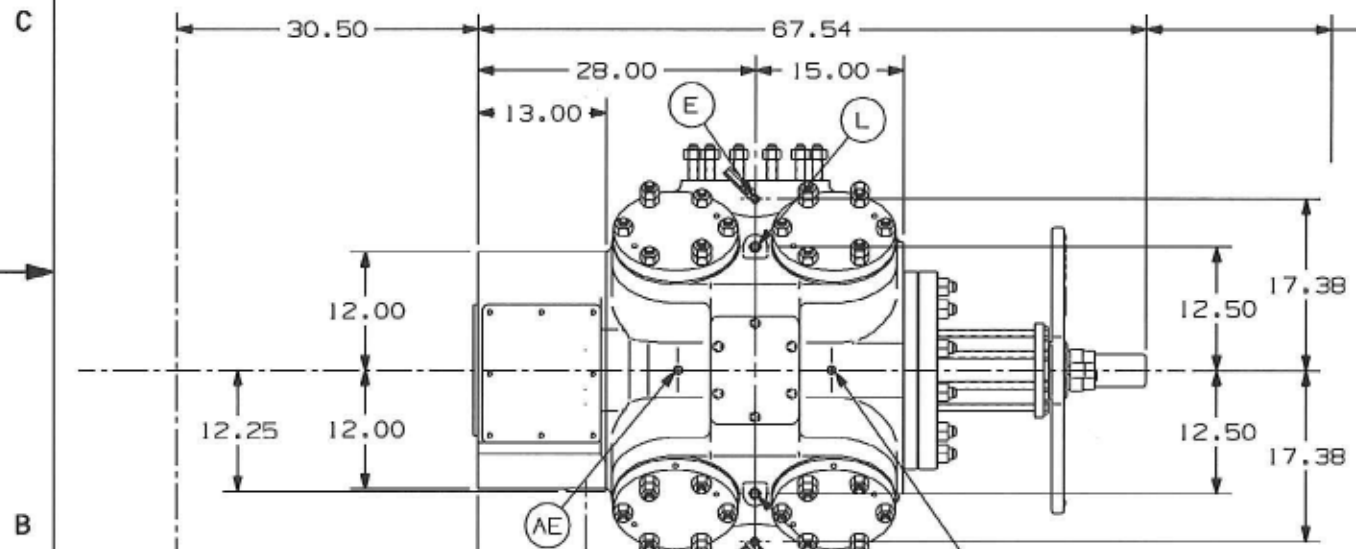


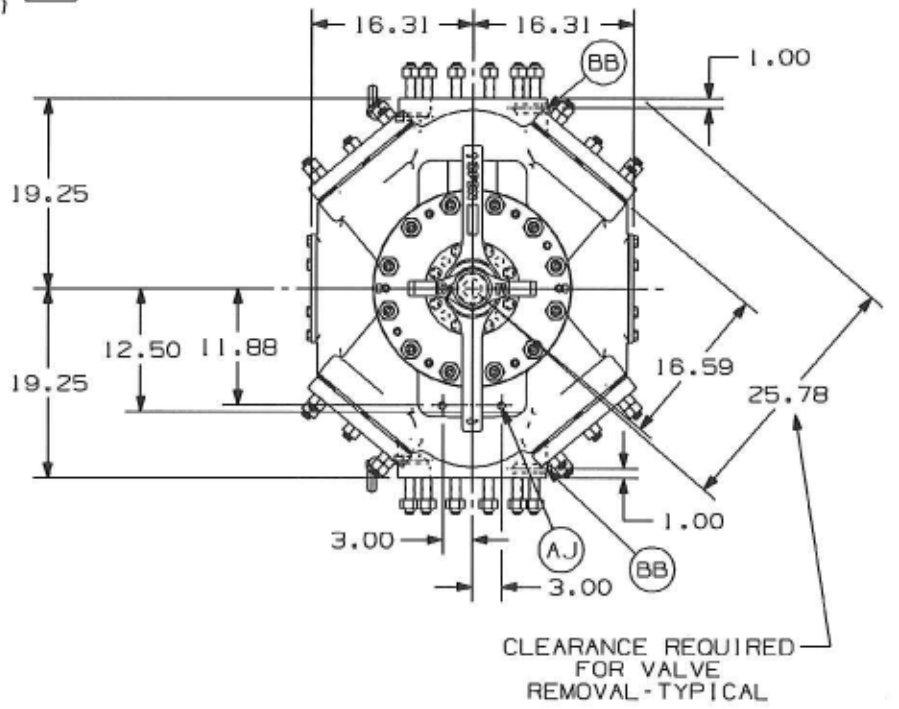
REVISIONS				
ZONE	REV	DESCRIPTION	DATE	APPROVED
	01	18.65 WAS 25.20; 18.16 WAS 24.70; ADDED 19.16(5.0" STR); ECN-PPT11554 KMD	17JUN11	BAB



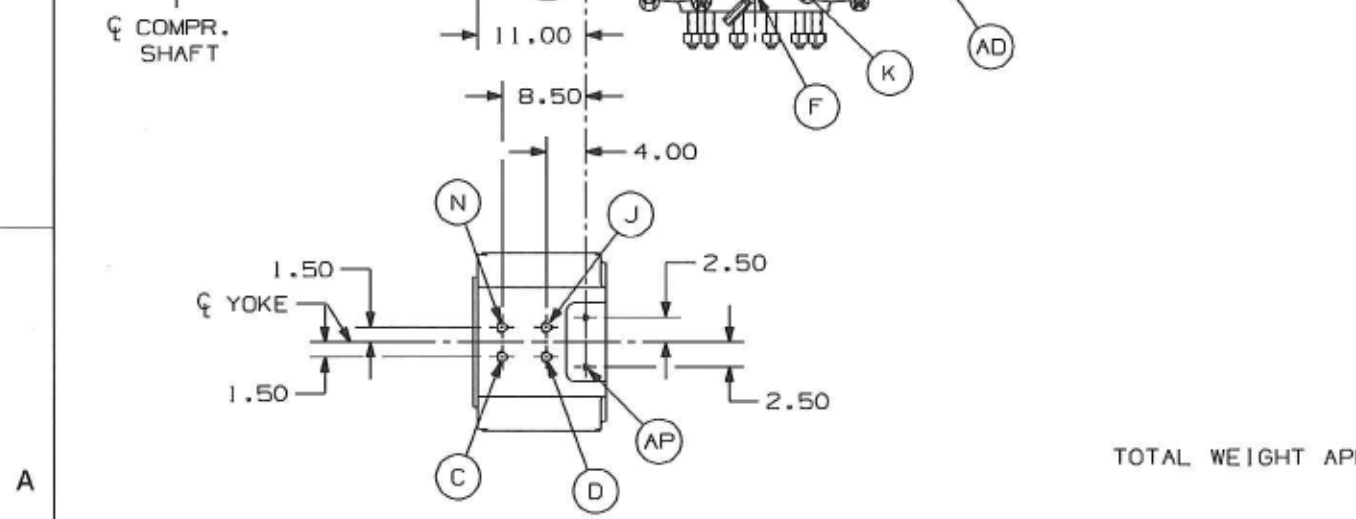
- A) 8.00-400# FF FLANGE CONN-INLET TOP & DISCH. BOTTOM
- 12-1.000-8UNC-3A STUDS ON 13.000 DIA B.C. 15.00 FLANGE DIA
- B) .25 NPT -- PACKING LUBE CONN ----- TOP
- C) .25 NPT -- PACKING VENT/DRAIN CONN ----- BOTTOM
- D) .75 NPT -- YOKE DRAIN CONN ----- BOTTOM
- E) .25 NPT -- CYL BORE LUBE CONN ----- TOP
- F) .25 NPT -- CYL BORE LUBE CONN ----- BOTTOM
- G) .75 NPT -- YOKE VENT/PURGE CONN ----- TOP
- H) .38 NPT -- PACKING COOLANT OUT CONN ----- TOP
- J) .38 NPT -- PACKING COOLANT IN CONN ----- BOTTOM
- K) .75 NPT -- CYL COOLANT INLET CONN ----- BOTTOM
- L) .75 NPT -- CYL COOLANT DISCH CONN ----- TOP
- N) .75 NPT -- SPARE CONN ----- BOTTOM
- S) .12 NPT -- VVCP ROD PKG VENT TO NON-HAZ AREA ----- TOP
- T) .12 NPT -- GREASE FITTING ----- TOP
- W) .25 NPT -- SCRAPER PURGE CONN (IF REQUIRED) ----- TOP
- X) .25 NPT -- PACKING PURGE CONN (IF REQUIRED) ----- TOP
- AD) .50 NPT -- OUTER END INDICATOR CONN ----- SIDE
- AE) .50 NPT -- FRAME END INDICATOR CONN ----- SIDE
- AJ) .750-10UNC-3B THD CYLINDER SUPPORT ----- BOTTOM
- AP) .625-11UNC-3B YOKE SUPPORT ----- BOTTOM
- BB) .75 NPT -- RTD CONN (IF REQUIRED)



19.16 (5.0" STR)  
 18.66 (6.0" STR)  $\Delta$   
 18.16 (7.0" STR)  
 REQUIRED FOR  
 REMOVAL OF  
 PISTON & ROD



CLEARANCE REQUIRED  
 FOR VALVE  
 REMOVAL-TYPICAL



TOTAL WEIGHT APPROX. 3550 LBS.

CHG TO: 80 149			
THIRD ANGLE PROJECTION	SIZE	STROKE	TYPE
DRAWN C.W. GOWDY	DATE 02SEP09	15.00	ALL HOS
CHECKED B. BENNITT	DATE 18SEP09	NAME OF PART OUTLINE - 15.00 VVCP CYLINDER	
APPROVED B. BENNITT	DATE 18SEP09	SIZE C	FEDERAL SUPPLY CODE ---
		DWG NO. HIHO1551	REV. 01
		SCALE 1:12	WT. SHEET 1 OF 1