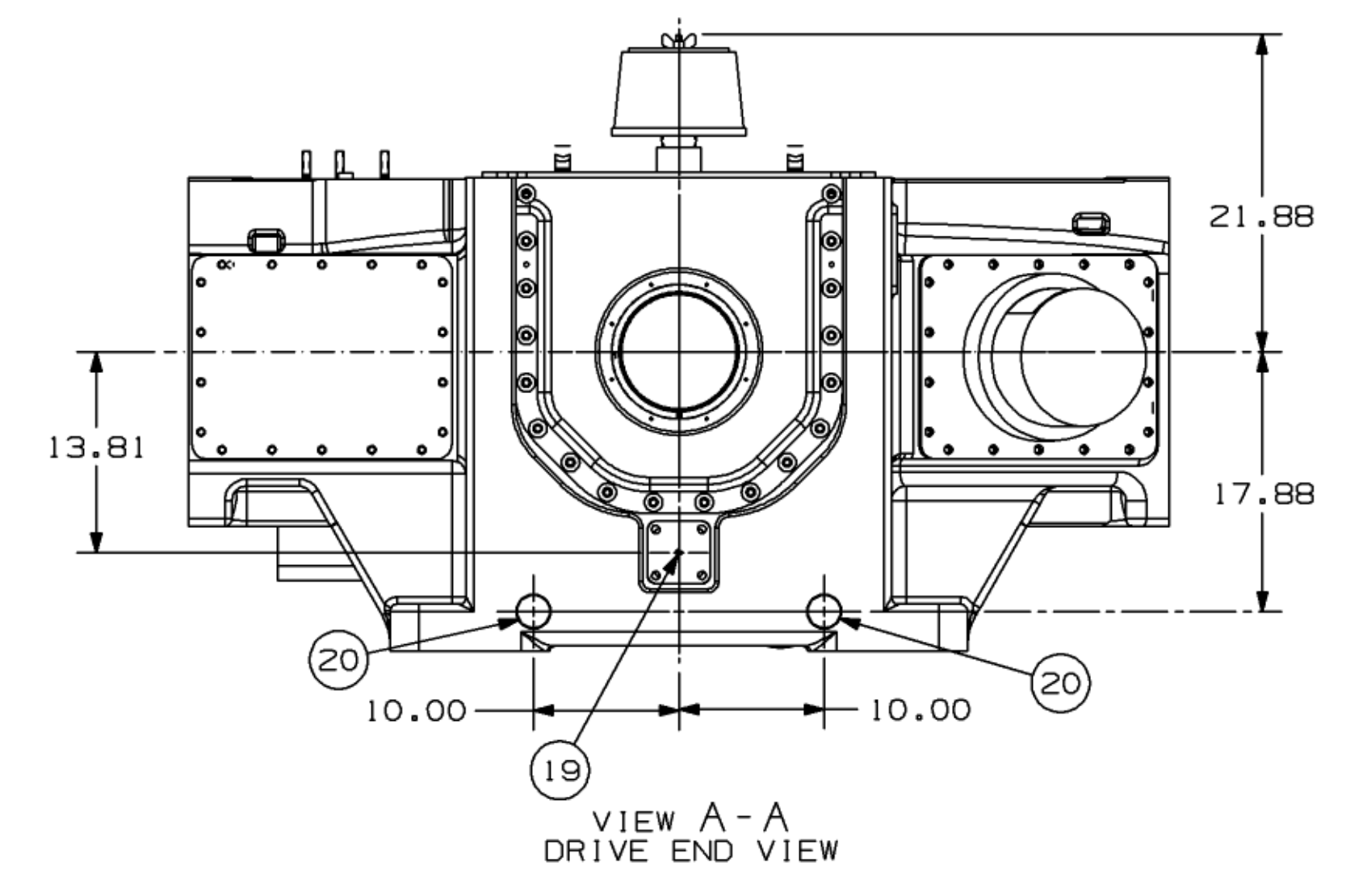
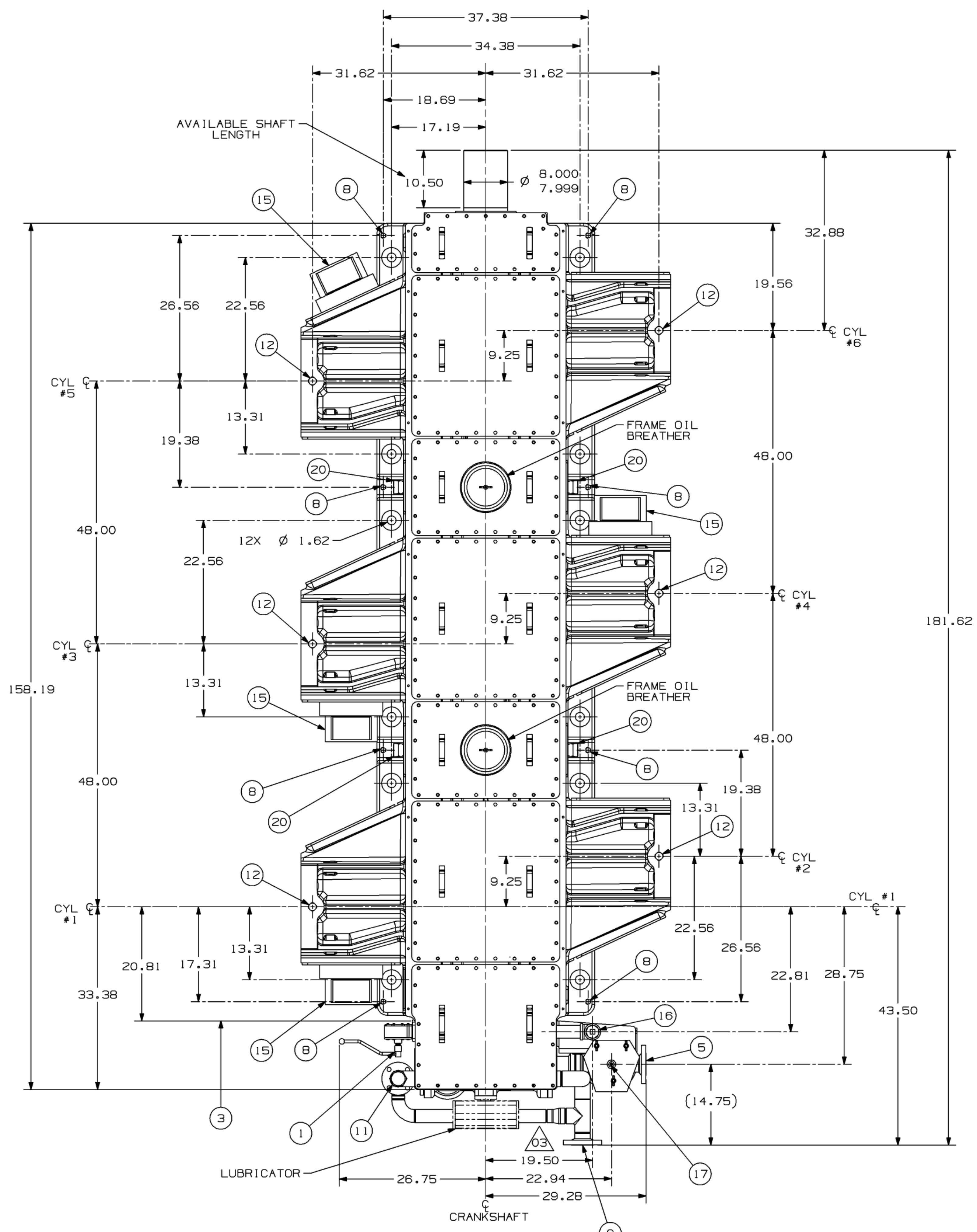
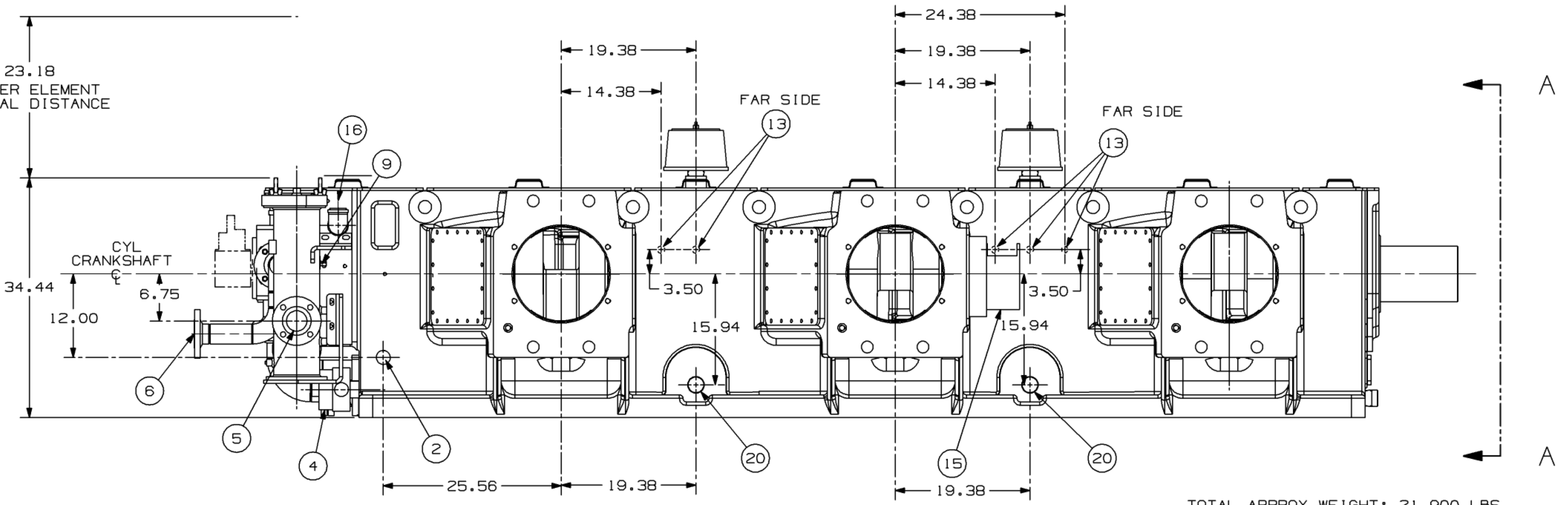
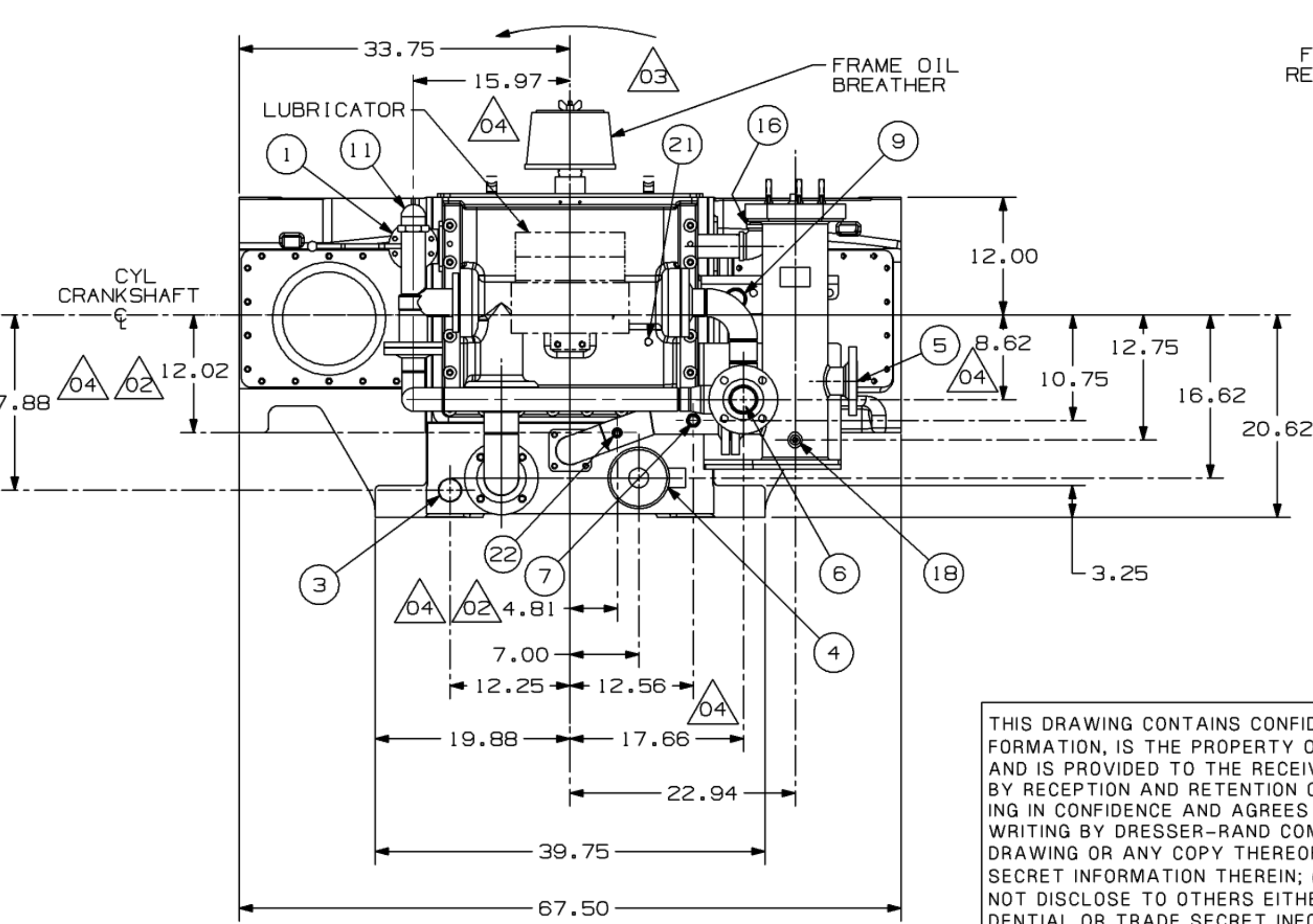
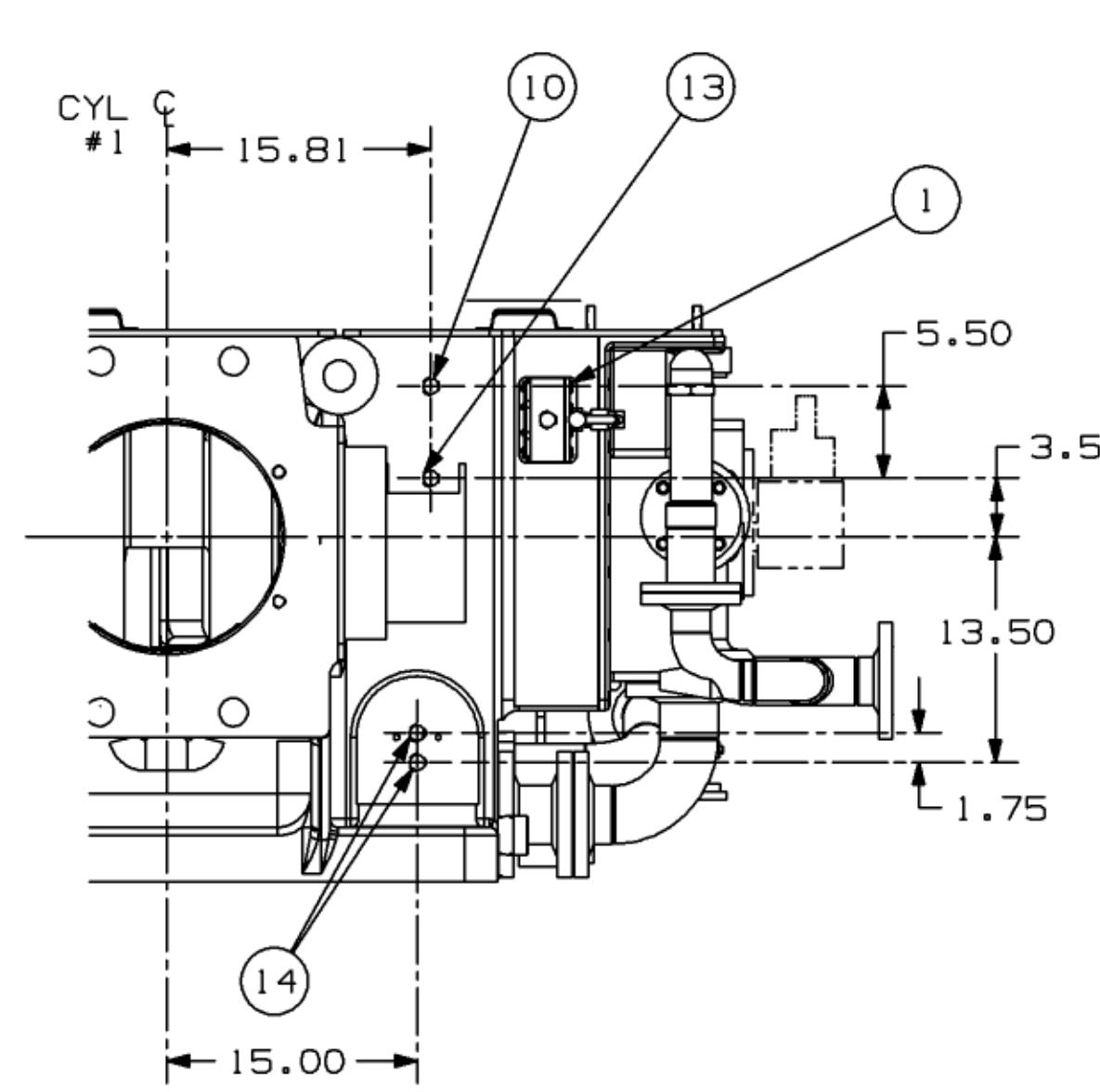


REVISIONS			
ZONE/REV	DESCRIPTION	DATE	APPROVED
C5 01	ADDED .500 NPT THD LUBE VENT.	03MARG08	DAB
B6 02	ADDED CONN NO. 22 EGN 0880170	03JUN08	CWG/GFB
03	REMOVED 15.50 DIM; ADDED 19.50 DIM; ECNOB80378_KMD	19NOV08	BAB
04	CONN. 22, DIM. 4.81 WAS 5.06; DIM. 12.02 WAS 11.93; CONN. 7, DIM. 12.56 WAS 12.06; FLANGE 6, DIM. 17.66 WAS 16.25; DIM. 8.62 WAS 7.32; PUMP 11, DIM 15.97 WAS 15.81; ECN-PPT181156; A.DAWANGE	ZEMAY18	B.BENNTT



- | | |
|---|--|
| ① HAND OIL PUMP (IF SUPPLIED) | ⑪ OIL PRESSURE REGULATION VALVE - FACTORY SET AT 60 PSIG |
| ② FRAME OIL LEVEL INDICATOR | ⑫ 1.500-BUN-3B THD, 2.25 FULL THD. LIFTING LUG (1 PER THROW) |
| ③ 2.000 NPT - FRAME OIL DRAIN (PLUGGED) | ⑬ .750 NPT RTD - 6 HOLES (IF REQUIRED) |
| ④ FRAME OIL HEATER (IF REQUIRED) | ⑭ .750 NPT - FRAME OIL LEVEL CONTROLLER (IF REQUIRED) |
| ⑤ 2.500 150* RF FLANGE - FRAME OIL INLET FROM COOLER | ⑮ BICERA DOOR - IF REQUIRED BY CLIENT |
| ⑥ 2.500 150* RF FLG - FRAME OIL OUTLET TO COOLER | ⑯ 2.000 NPT - FRAME OIL FILLER |
| ⑦ .750 NPT AUXILIARY LUBE CONN - (PLUGGED) | ⑰ .250 NPT - OIL FILTER VENT/ PURGE CONN |
| ⑧ LEVELING SCREWS 1.000-BUNC-3B THD | ⑱ .750 NPT - OIL FILTER DRAIN PORT CONN |
| ⑨ OIL FILTER DIFFERENTIAL PRESSURE INDICATOR (D-R CO. TO FURNISH) | ⑲ .125 NPT - MAIN BEARING HEADER OIL PRESSURE CONN (CUSTOMER CONN) |
| ⑩ .750 NPT - OIL LEVEL CONTROL VENT (PLUGGED) | ⑳ 2.000 NPT - DRY-SUMP CONNECTION - PLUGGED |
| | ㉑ .500" NPT THD LUBRICATOR VENT/OVERFLOW (IF REQUIRED) |
| | ㉒ (LUBRICATOR OIL SUPPLY(.25 NPT)) |



THIS DRAWING CONTAINS CONFIDENTIAL AND TRADE SECRET INFORMATION, IS THE PROPERTY OF DRESSER-RAND COMPANY, AND IS PROVIDED TO THE RECEIVER IN CONFIDENCE. THE RECEIVER BY RECEPTION AND RETENTION OF THE DRAWING ACCEPTS THE DRAWING IN CONFIDENCE AND AGREES THAT, EXCEPT AS AUTHORIZED IN WRITING BY DRESSER-RAND COMPANY, IT WILL (1) NOT USE THE DRAWING OR ANY COPY THEREOF OR THE CONFIDENTIAL OR TRADE SECRET INFORMATION THEREIN; (2) NOT COPY THE DRAWING; (3) NOT DISCLOSE TO OTHERS EITHER THE DRAWING OR THE CONFIDENTIAL OR TRADE SECRET INFORMATION THEREIN; AND (4) UPON COMPLETION OF THE NEED TO RETAIN THE DRAWING, OR UPON DEMAND, RETURN THE DRAWING AND ALL COPIES THEREOF IN ANY FORM.

CASTING		MACHINING		SYMBOLS		GEOMETRY	
DIMENSION	TOLERANCE	DIMENSION	TOLERANCE	SYM	GEOMETRY		
UNDER 2"	+ .082" - .082"	2 PL	3 PL	○	CYLINDRICITY		
2" TO 5"	+ .093" - .082"	UNDER 24"	±030"	□	FLATNESS		
5" TO 8"	+ .125" - .093"	24" AND UP	±030"	∥	PARALLELISM		
8" TO 12"	+ .187" - .125"	ANGLES	±030'	◎	CONCENTRICITY		
12" TO 15"	+ .250" - .187"	UNSPECIFIED FILLETS	AND RADII TO BE .125	⊕	POSITION		
15" AND UP	+ .250" - .250"			⊙	CIRCULAR RUNOUT		

PATTERN NO.		MATERIAL		HEAT TREAT		HARDNESS	
UNLESS OTHERWISE SPECIFIED, REMOVE ALL BURRS AND SHARP CORNERS AND COUNTER SINK TAPPED HOLES TO BODY SIZE		THIRD ANGLE PROJECTION		DRAWN		DATE	
CHG TO: 72 124 149		DRAWN		EJMCCOY		8/15/08	
APPROVED		CHECKED		GFB/SEL		8/28/06	
TEBLAZEJEWSKI		DATE		11/29/06			
SIZE 75,000		STROKE 6/7		TYPE HOSS		NAME OF PART	
SCALE .062		WT. ABOVE		SHEET 1 OF 1		DWG NO. G15067	
REV. 04						OUTLINE - 6 THROW FRAME	