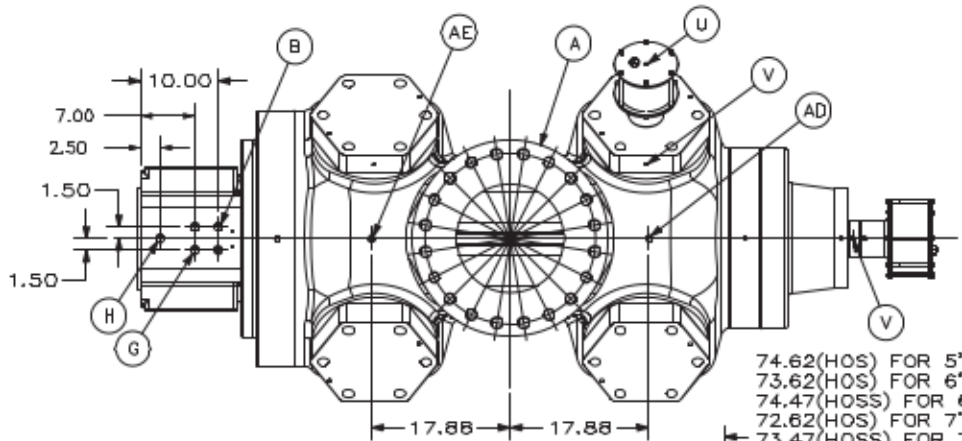
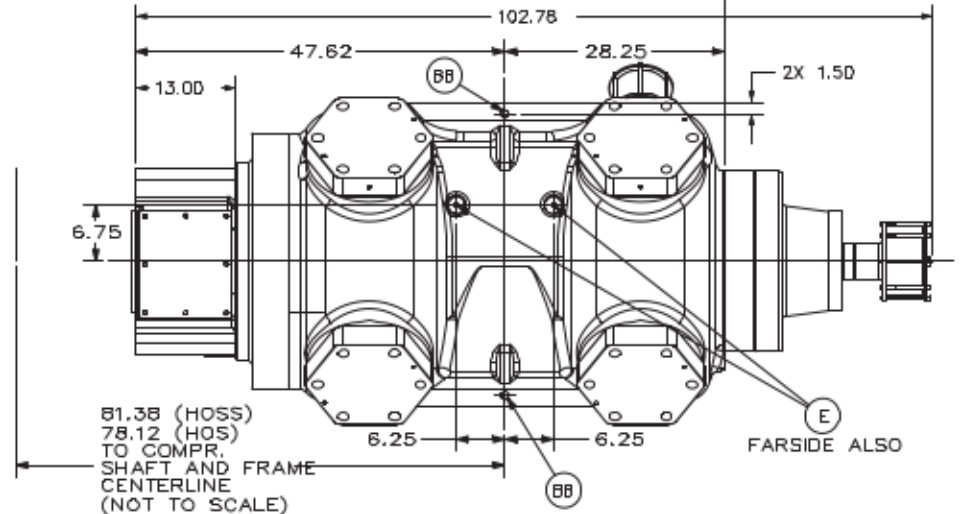


| REVISIONS | | | | |
|-----------|-----|-------------|------|----------|
| ZONE | REV | DESCRIPTION | DATE | APPROVED |

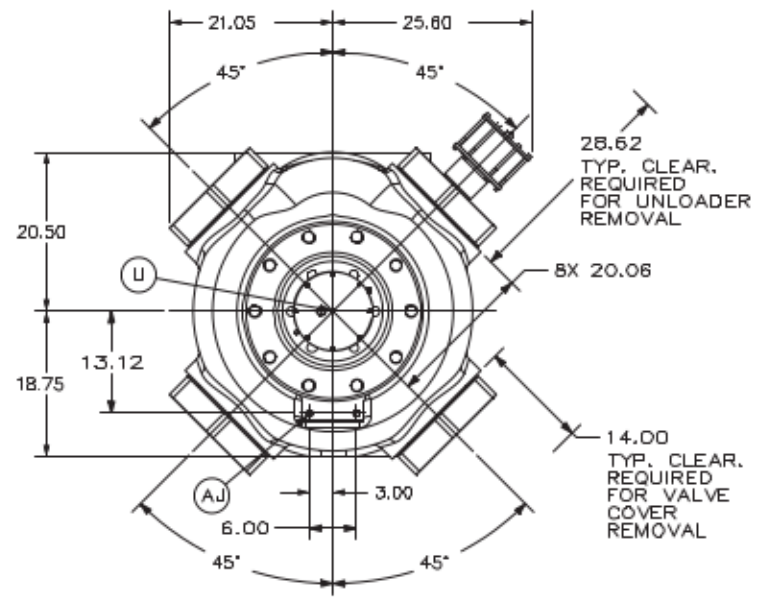


74.62(HOS) FOR 5" STROKE
 73.62(HOS) FOR 6" STROKE
 74.47(HOSS) FOR 6" STROKE
 72.62(HOS) FOR 7" STROKE
 73.47(HOSS) FOR 7" STROKE
 REQUIRED FOR REMOVAL
 OF PISTON & ROD
 (NOT TO SCALE)

- A) 14.00"-900# FF FLANGE CONN-INLET/TOP AND DISCHARGE/BOTTOM
 20X-1.500 STUDS ON @22.000 B.C. @25.25 FLANGE
- B) .25 NPT PACKING LUBE CONN ----- TOP
- C) .25 NPT PACKING VENT/DRAIN CONN ----- BOTTOM
- D) .75 NPT YOKE DRAIN/PURGE CONN ----- BOTTOM
- E) .25 NPT CYLINDER LUBE CONN (4X)----- TOP
- G) .75 NPT YOKE VENT CONN ----- TOP
- H) .38 NPT PACKING COOLANT OUT CONN (IF REQUIRED) TOP
- J) .38 NPT PACKING COOLANT IN CONN (IF REQUIRED)- BOTTOM
- U) .25 NPT UNLOADER AIR CONN
- V) .25 NPT UNLOADER VENT TO NON-HAZARDOUS AREA --- TOP
- AD) .50 NPT OUTER END INDICATOR CONN ----- TOP
- AE) .50 NPT FRAME END INDICATOR CONN ----- TOP
- AJ) .750-10UNC-3B THD CYL. SUPPORT ----- BOTTOM SIDE
- AP) .625-11UNC-3B THD YOKE SUPPORT ----- BOTTOM
- BB) .75 NPT RTD CONN. (IF REQUIRED) (MAX. INSERTION DEPTH-18.56")
 (MIN. INSERTION DEPTH-5.56")

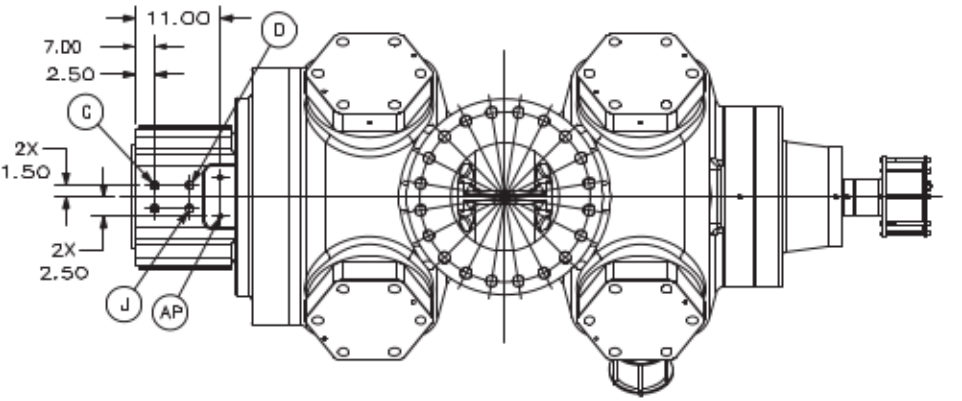


81.38 (HOSS)
 78.12 (HOS)
 TO COMPR.
 SHAFT AND FRAME
 CENTERLINE
 (NOT TO SCALE)



28.62
 TYP. CLEAR.
 REQUIRED
 FOR UNLOADER
 REMOVAL

14.00
 TYP. CLEAR.
 REQUIRED
 FOR VALVE
 COVER
 REMOVAL



TOTAL WEIGHT: APPROX 12025 LBS.

| | | | |
|------------------------|-----------------|--|---------------------------|
| CHG TO: 149 | | THIRD ANGLE PROJECTION | |
| DRAWN K. DAVISON | DATE 21MAR11 | SIZE 14.00- 16.50 | STROKE 5.0/6.0/7.0 |
| CHECKED B. BENNITT | DATE 21MAR11 | TYPE HOS/HOSS | |
| APPROVED B. BENNITT | DATE 21MAR11 | NAME OF PART OUTLINE - HP/PIPELINE CYLINDER | |
| PART | | SIZE C | FEDERAL SUPPLY CODE |
| | | DWG NO. HHH01471 | REV. 00 |
| | | SCALE 1:12 | WT. ABOVE SHEET 1 OF 1 |

DWG NO. HHH01471 SR 1

FORM FLANGE-40/82