

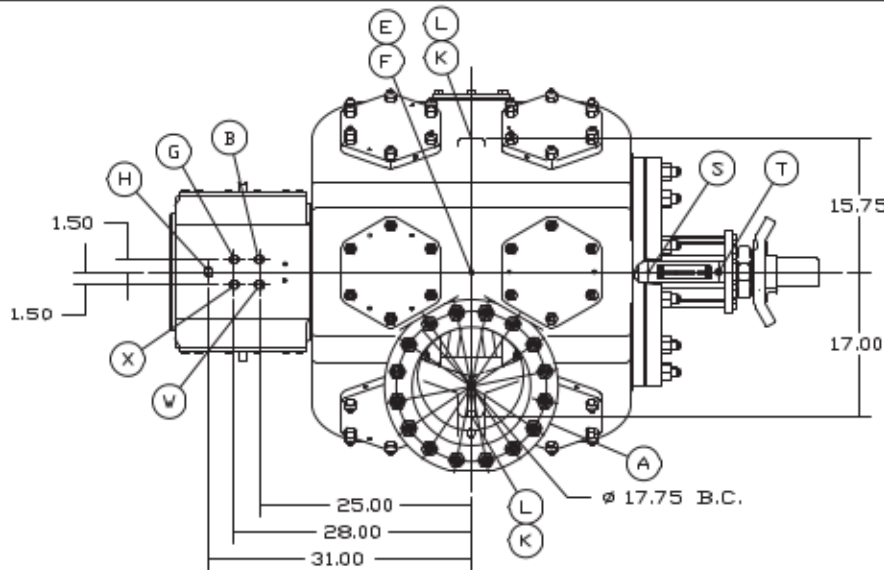
4

3

2

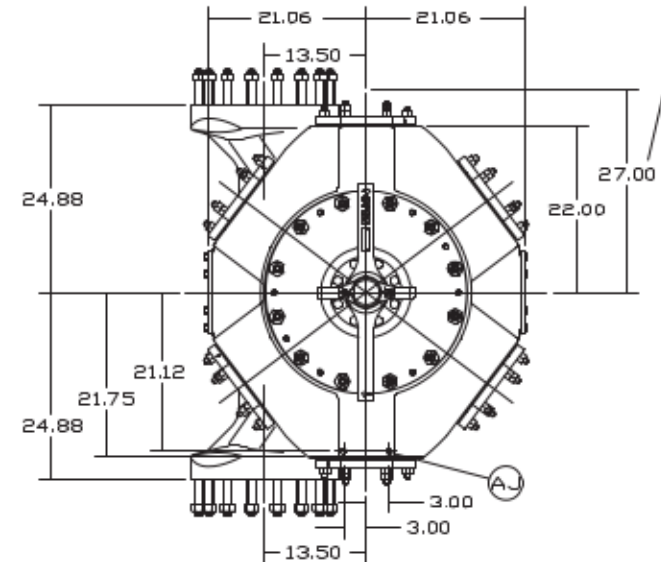
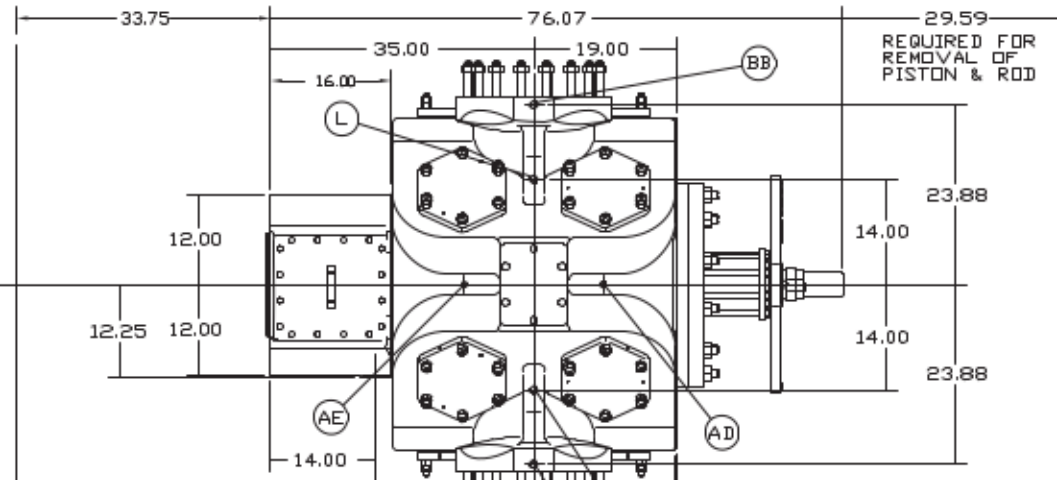
1

REVISIONS				
ZONE	REV	DESCRIPTION	DATE	APPROVED

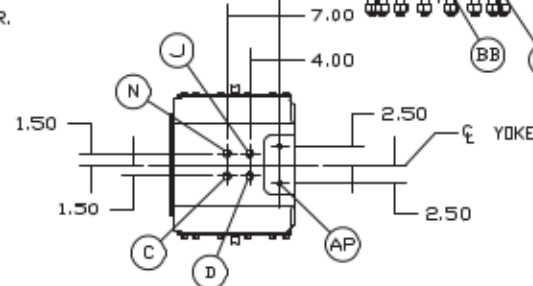


- A) 12.00"-300# FF FLANGE CONN-INLET TOP & DISCH BOTTOM
16-1.125 BOLTS ON 17.750 DIA B.C. 20.50 FLANGE DIA
- B) .25 NPT --- PACKING LUBE CONN ----- TOP
C) .25 NPT --- PACKING VENT/DRAIN CONN ----- BOTTOM
D) .75 NPT --- YOKE DRAIN CONN ----- BOTTOM
E) .25 NPT --- CYL BORE LUBE CONN ----- TOP
F) .25 NPT --- CYL BORE LUBE CONN ----- BOTTOM
G) .75 NPT --- YOKE VENT/PURGE CONN (IF REQUIRED)----- TOP
H) .38 NPT --- PACKING COOLANT OUT CONN (IF REQUIRED)--- TOP
J) .38 NPT --- PACKING COOLANT IN CONN (IF REQUIRED)--- BOTTOM
K) .75 NPT --- CYL COOLANT INLET CONN (IF REQUIRED)--- BOTTOM
L) .75 NPT --- CYL COOLANT DISCH CONN (IF REQUIRED)--- TOP
N) .75 NPT --- SPARE CONN ----- BOTTOM
S) .125 NPT --- VVCP ROD PKG VENT TO NON-HAZ AREA ----- TOP
T) .125 NPT --- GREASE FITTING ----- TOP
W) .25 NPT --- SCRAPER PURGE CONN (IF REQUIRED)----- TOP
X) .25 NPT --- PACKING PURGE CONN (IF REQUIRED)----- TOP
AD) .50 NPT --- OUTER END INDICATOR CONN ----- SIDE
AE) .50 NPT --- FRAME END INDICATOR CONN ----- SIDE
AJ) .750-10UNC-3B THD, CYLINDER SUPPORT ----- BOTTOM
AP) .625-11UNC-3B THD, YOKE SUPPORT ----- BOTTOM
BB) .75 NPT --- RTD CONN. (IF REQUIRED)

CLEARANCE REQUIRED
FOR VALVE
REMOVAL-TYPICAL



COMPR.
SHAFT



TOTAL WEIGHT: APPROX. 6500 LBS

CHG TO: 72 124 149



THIRD ANGLE PROJECTION

DRAWN
K.DAVIDSON

DATE
23 JUL 09

CHECKED
B.BENNETT

DATE
21 JUL 09

APPROVED
B.BENNETT

DATE
21 JUL 09

UG
PART

SIZE
22.00

STROKE
ALL

TYPE
HOSS

NAME OF PART
OUTLINE - CYLINDER W/VVCP

SIZE
C

FEDERAL
SUPPLY CODE

DWG NO.
HIH02274

REV.
00

SCALE 1:12

WT. ---

SHEET 1 OF 1

4

3

2

1

DWG NO

HIH02274

SH 1

A