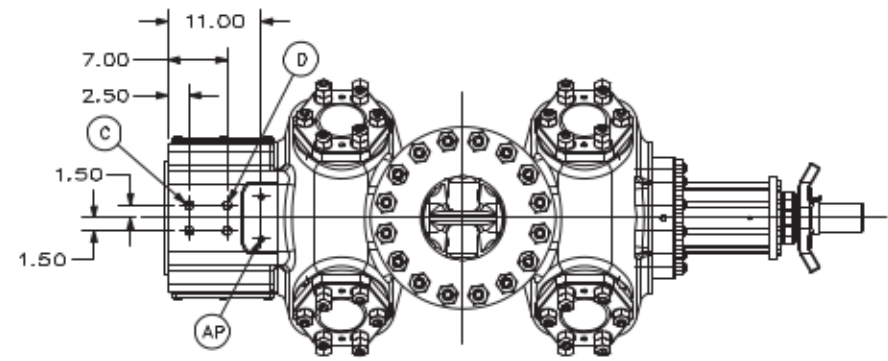
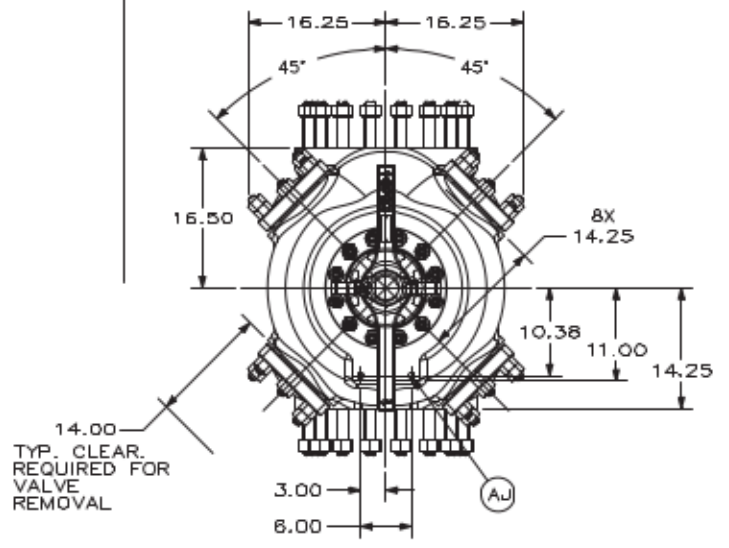
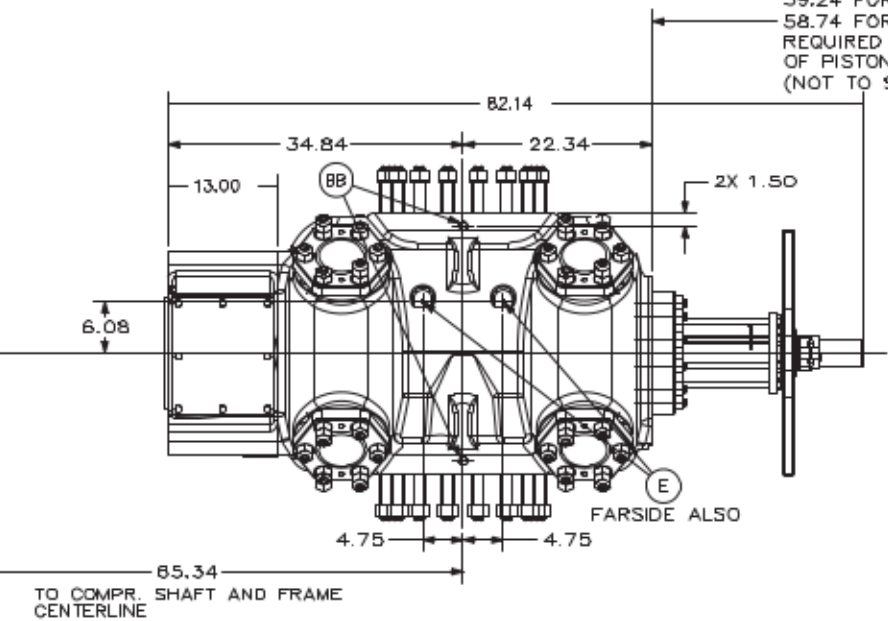


- A) 10.00"-900# FF FLANGE CONN-INLET/TOP & DISCH./BOTTOM
18-1.375-BUN-3A STUDS ON @18.500 B.C.-@21.50 FLANGE
- B) .25 NPT --- PACKING LUBE CONN ----- TOP
- C) .25 NPT --- PACKING VENT/DRAIN CONN ----- BOTTOM
- D) .75 NPT --- YOKE DRAIN/PURGE CONN (IF REQUIRED)----- BOTTOM
- E) .25 NPT --- CYL BORE LUBE CONN ----- TOP
- G) .75 NPT --- YOKE VENT CONN ----- TOP
- S) .125 NPT --- VVCP ROD PKG VENT TO NON-HAZ AREA --- TOP
- T) .125 NPT --- GREASE FITTING ----- TOP
- AD) .50 NPT --- OUTER END INDICATOR CONN ----- TOP
- AE) .50 NPT --- FRAME END INDICATOR CONN ----- TOP
- AJ) .750-10UNC-3B THD, CYLINDER SUPPORT ----- BOTTOM END
- AP) .625-11UNC-3B YOKE SUPPORT ----- BOTTOM
- BB) .75 NPT --- RTD CONN. (IF REQUIRED)(MAX. INSERTION DEPTH-14.25")

59.74 FOR 5" STROKE
 59.24 FOR 6" STROKE
 58.74 FOR 7" STROKE
 REQUIRED FOR REMOVAL
 OF PISTON & ROD
 (NOT TO SCALE)



TOTAL WEIGHT: APPROX 5350 LBS.

CHG TO: 72 124 149		[REDACTED]	
THIRD ANGLE PROJECTION		SIZE	STROKE
DRAWN K.DAVISON		8.50-10.50	5.0/6.0/7.0
DATE 28MAY10		TYPE HOS	
CHECKED B.BENNETT		NAME OF PART OUTLINE - HP/PIPELINE CYLINDER	
DATE 28MAY10		SIZE	DWG NO.
APPROVED B.BENNETT		FEDERAL SUPPLY CODE	HHH00B51
DATE 28MAY10		REV.	00
PART		SCALE	3/32
		WT. ABOVE	SHEET 1 OF 1

DWG NO. HHH00B51 SH 1

FORM NUMBER-001