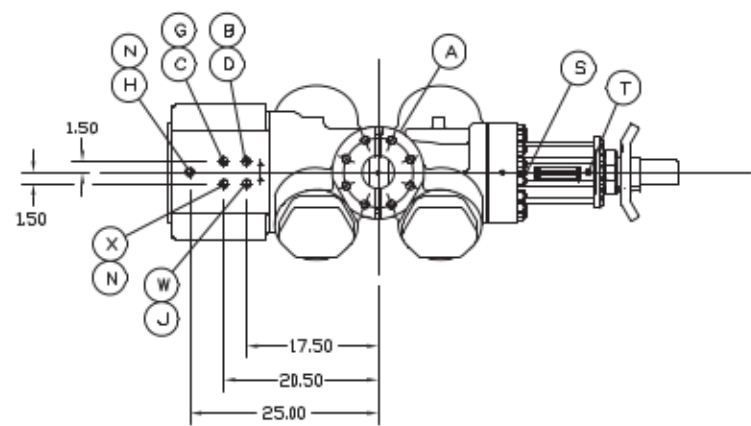
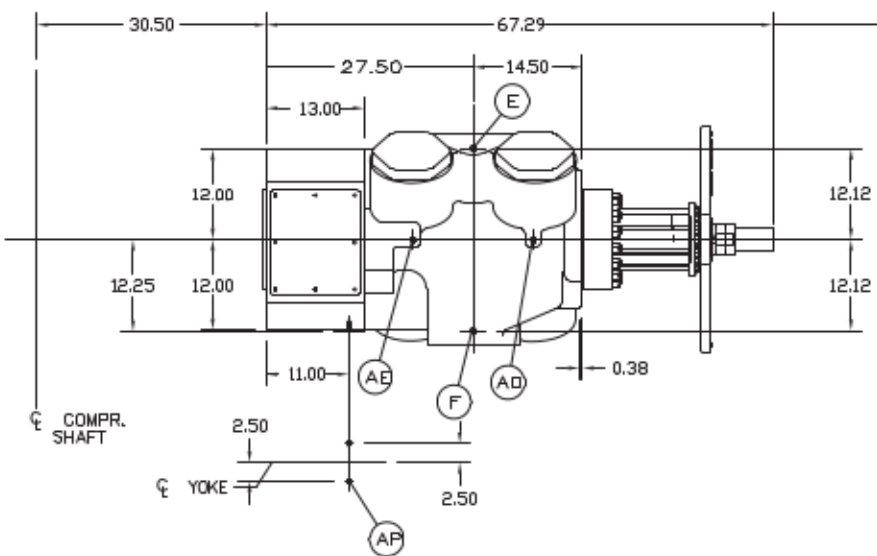


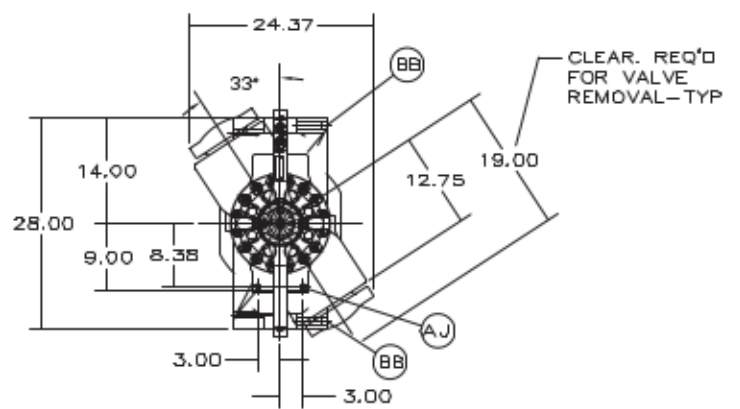
REVISIONS				
ZONE	REV	DESCRIPTION	DATE	APPROVED



- A) 4.00-900# FF FLANGE CONN-INLET TOP & DISCH. BOTTOM  
8-1.125 STUDS ON 9.250 DIA B.C. 12.25 FLANGE DIA
- B) .25 NPT --- PACKING LUBE CONN ----- TOP
- C) .25 NPT --- PACKING VENT/DRAIN CONN ----- BOTTOM
- D) .75 NPT --- YOKE DRAIN CONN ----- BOTTOM
- E) .25 NPT --- CYL BORE LUBE CONN ----- TOP
- F) .25 NPT --- CYL BORE LUBE CONN ----- BOTTOM
- G) .75 NPT --- YOKE VENT/PURGE CONN (IF REQUIRED) ----- TOP
- H) .38 NPT --- PACKING COOLANT OUT CONN (IF REQUIRED) --- TOP
- J) .38 NPT --- PACKING COOLANT IN CONN (IF REQUIRED) --- BOTTOM
- N) .75 NPT --- SPARE CONN ----- TOP OR BTM
- S) .125 NPT --- VVCP ROD PKG VENT TO NON-HAZ AREA ----- TOP
- T) .125 NPT --- GREASE FITTING ----- TOP
- W) .25 NPT --- SCRAPER PURGE CONN (IF REQUIRED) ----- TOP
- X) .25 NPT --- PACKING PURGE CONN (IF REQUIRED) ----- TOP
- AD) .50 NPT --- OUTER END INDICATOR CONN ----- SIDE
- AE) .50 NPT --- FRAME END INDICATOR CONN ----- SIDE
- AJ) .750-10UNC-3B THD, CYLINDER SUPPORT ----- BOTTOM SIDE
- AP) .625-11UNC-3B YOKE SUPPORT ----- BOTTOM
- BB) .75 NPT --- RTD CONN (IF REQUIRED)



17.30  
REQUIRED FOR  
REMOVAL OF  
PISTON & ROD



CLEAR. REQ'D  
FOR VALVE  
REMOVAL-TYP

TOTAL WEIGHT: APPROX. 2830 LBS

CHG TO: 124 149					
THIRD ANGLE PROJECTION		SIZE	STROKE	TYPE	
DRAWN	DATE	7.00	5/6/7.00	H05	
K.DAVISON	30JUL08	NAME OF PART			
CHECKED	DATE	OUTLINE - 7.00" CYLINDER W/VVCP			
B.NIESSING	30JUL08	SIZE	FEDERAL SUPPLY CODE	DRAWING NO.	REV.
APPROVED	DATE	C		HJH00710	00
B.NIESSING	30JUL08	SCALE 1:12		WT.	SHEET 10F1
UNLESS OTHERWISE SPECIFIED, ALL DIMENSIONS ARE IN INCHES					

DWG NO. HJH00710 SH 1

FORM PLUMB-100E