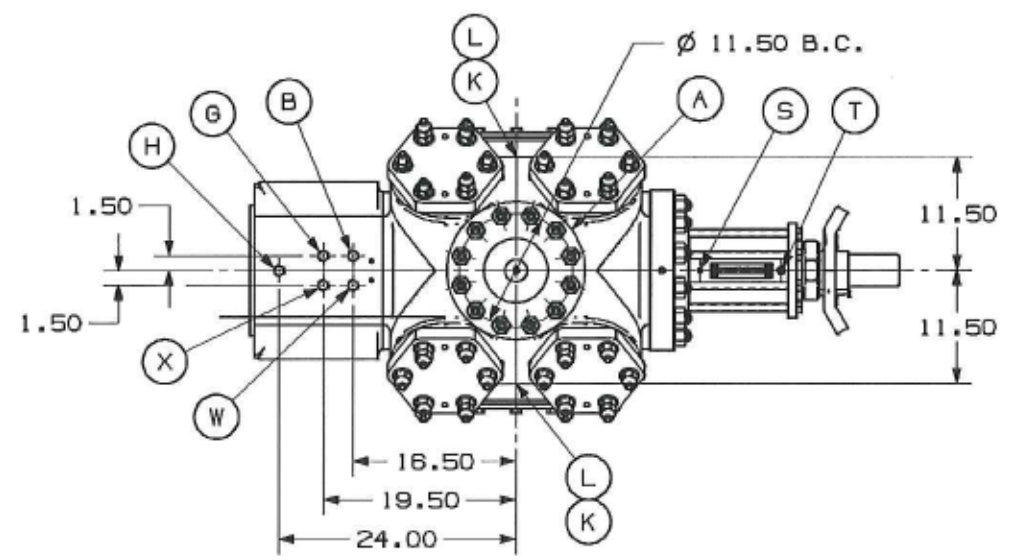
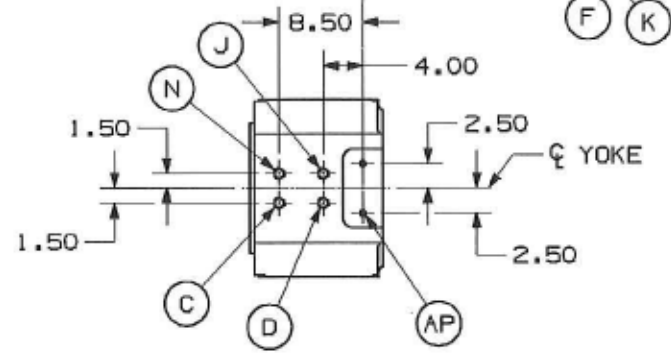
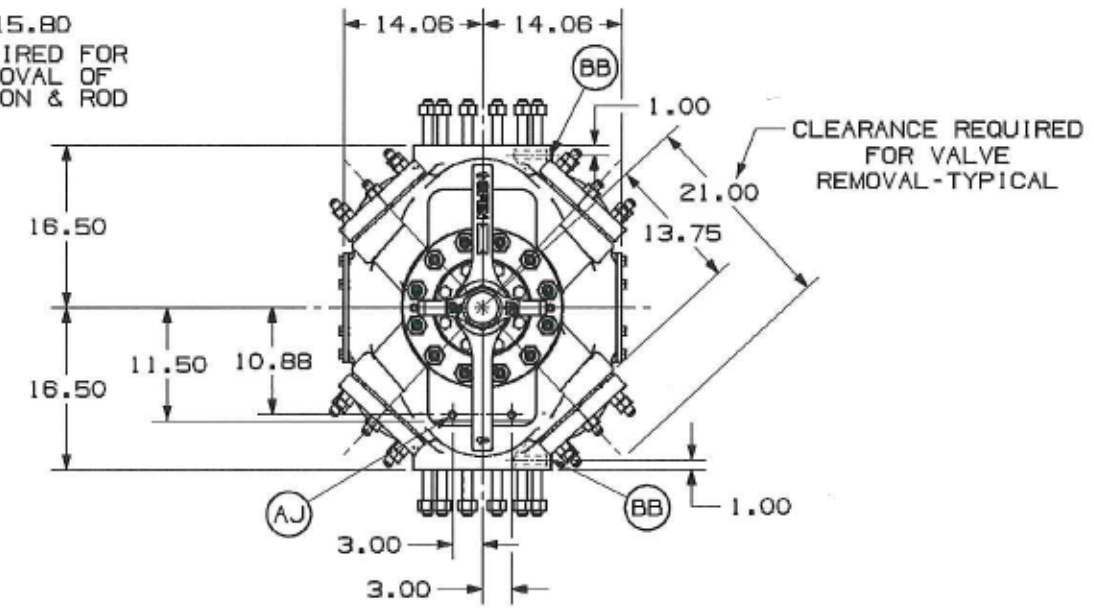
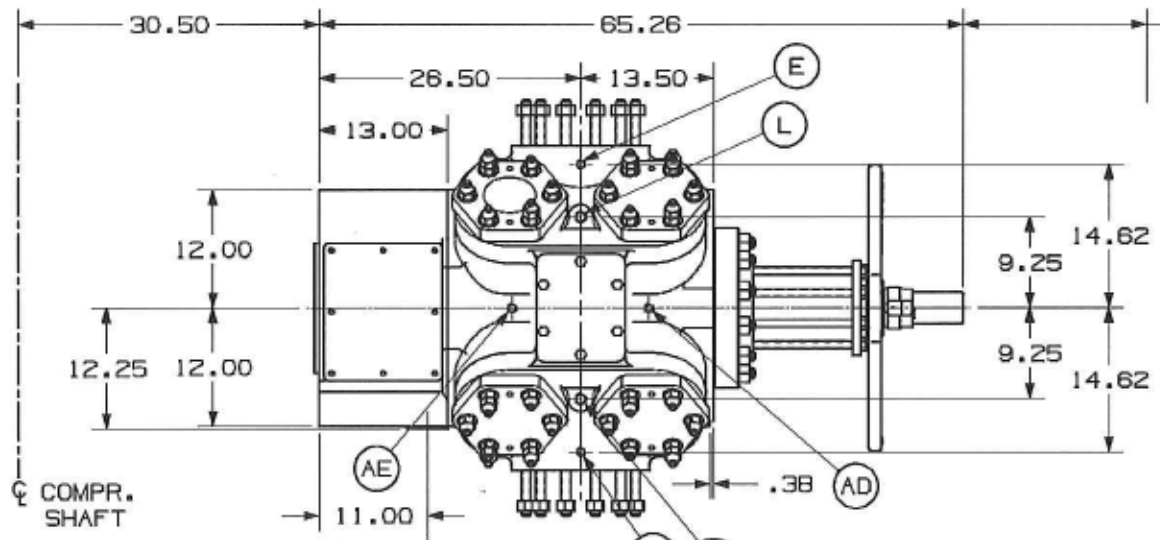


4 3 2 1

REVISIONS				
ZONE	REV	DESCRIPTION	DATE	APPROVED



- A) 6.00"-600# FF FLANGE CONN-INLET TOP & DISCH BOTTOM
12-1.000 BOLTS ON 11.50 DIA B.C. 14.00 FLANGE DIA
- B) .25 NPT -- PACKING LUBE CONN ----- TOP
- C) .25 NPT -- PACKING VENT/DRAIN CONN ----- BOTTOM
- D) .75 NPT -- YOKE DRAIN CONN ----- BOTTOM
- E) .25 NPT -- CYL BORE LUBE CONN ----- TOP
- F) .25 NPT -- CYL BORE LUBE CONN ----- BOTTOM
- G) .75 NPT -- YOKE VENT/PURGE CONN (IF REQUIRED) ----- TOP
- H) .38 NPT -- PACKING COOLANT OUT CONN (IF REQUIRED) ----- TOP
- J) .38 NPT -- PACKING COOLANT IN CONN (IF REQUIRED) ----- BOTTOM
- N) .75 NPT -- SPARE CONN ----- TOP OR BOT
- S) .125 NPT -- VVCP ROD PKG VENT TO NON-HAZ AREA ----- TOP OR BOT
- T) .125 NPT -- GREASE FITTING ----- TOP
- W) .25 NPT -- SCRAPER PURGE CONN (IF REQUIRED) ----- TOP
- X) .25 NPT -- PACKING PURGE CONN (IF REQUIRED) ----- TOP
- AD) .50 NPT -- OUTER END INDICATOR CONN ----- SIDE
- AE) .50 NPT -- FRAME END INDICATOR CONN ----- SIDE
- AJ) .750-10UNC-3B THD, CYLINDER SUPPORT ----- BOTTOM SIDE
- AP) .625-11UNC-3B THD, YOKE SUPPORT ----- BOTTOM
- BB) .750 NPT -- RTD CONN. (IF REQUIRED)



TOTAL WEIGHT: APPROX. 3000 LBS.

CHG TO: 72 124 149					
THIRD ANGLE PROJECTION		SIZE	STROKE	TYPE	
DRAWN C.W. GOWDY		DATE 02SEP08	11.50	6.00/7.00	HOS
CHECKED B. BENNITT		DATE 18SEP08	NAME OF PART OUTLINE - 11.50 CYLINDER		
APPROVED B. BENNITT		DATE 18SEP08	SIZE C	FEDERAL SUPPLY CODE	DWG NO. HIH01109
SCALE 1:12		WT.	SHEET 1 OF 1		

DWG NO
HIH01109
SH 1

4 3 2 1