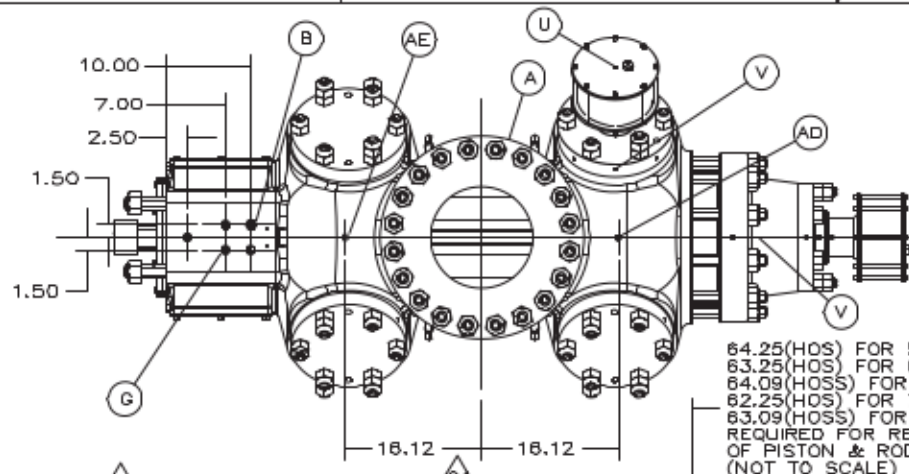
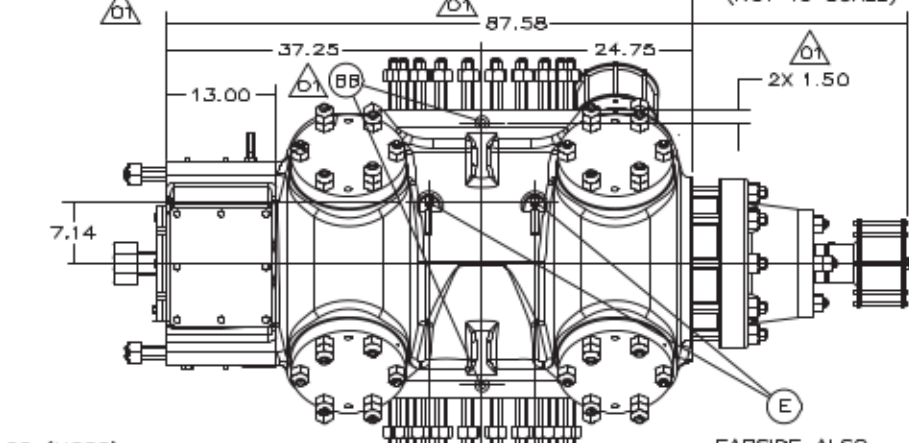


REVISIONS				
ZONE	REV	DESCRIPTION	DATE	APPROVED
	01	ADDED .75 NPT RTD CONN (1.00) 87.68 DIM WAR 85.83 ECHO880283	19NOV08	KMD/BAE



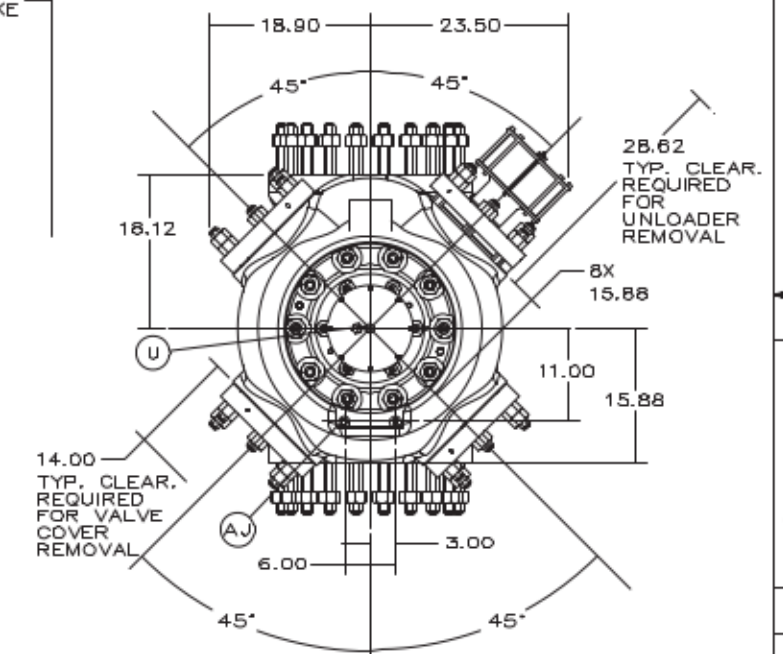
- A) 12.00"-90# FF FLANGE CONN-INLET/TOP AND DISCHARGE/BOTTOM
20X-1.375 STUDS ON #21.000 B.C. #24.00 FLANGE
- B) .25 NPT PACKING LUBE CONN ----- TOP
- .25 NPT PACKING VENT/DRAIN CONN ----- BOTTOM
- .75 NPT YOKE DRAIN/PURGE CONN ----- BOTTOM
- .25 NPT CYLINDER LUBE CONN (4X) ----- TOP
- .75 NPT YOKE VENT CONN ----- TOP
- .25 NPT UNLOADER AIR CONN ----- TOP
- .25 NPT UNLOADER VENT TO NON-HAZARDOUS AREA --- TOP
- AD) .50 NPT OUTER END INDICATOR CONN ----- TOP
- AE) .50 NPT FRAME END INDICATOR CONN ----- TOP
- AJ) .750-10UNC-3B THD CYL. SUPPORT ----- BOTTOM SIDE
- AP) .825-11UNC-3B THD YOKE SUPPORT ----- BOTTOM
- BB) .75 NPT RTD CONN. (IF REQUIRED) (MAX. INSERTION DEPTH-16.50")

64.25(HOS) FOR 5" STROKE
 63.25(HOS) FOR 6" STROKE
 64.09(HOSS) FOR 6" STROKE
 62.25(HOS) FOR 7" STROKE
 63.09(HOSS) FOR 7" STROKE
 REQUIRED FOR REMOVAL
 OF PISTON & ROD
 (NOT TO SCALE)

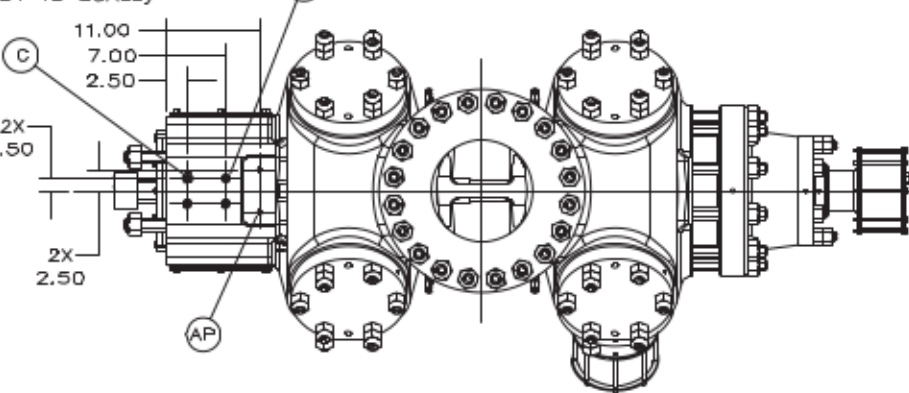


71.00 (HOSS)
 67.75 (HOS)
 TO COMPR. SHAFT AND FRAME
 CENTERLINE
 (NOT TO SCALE)

FARSIDE ALSO



TOTAL WEIGHT: APPROX 8500 LBS.



CHG TO: 149				
THIRD ANGLE PROJECTION		SIZE 11.00-13.50	STROKE 5.0/6.0/7.0	TYPE HOS/HOSS
DRAWN DL SYMONS	DATE 17APR08	NAME OF PART		
CHECKED R.A. BENNITT	DATE 17APR08	OUTLINE - HP/PIPELINE CYLINDER		
APPROVED R.A. BENNITT	DATE 18APR08	SIZE C	FEDERAL SUPPLY CODE	DWG NO. HHH01174
UC PART				REV. 01
SCALE 3:32		WT. ABOVE		SHEET 1 OF 1

DWG NO. HHH01174 SH 1

FORM NUMBER 000