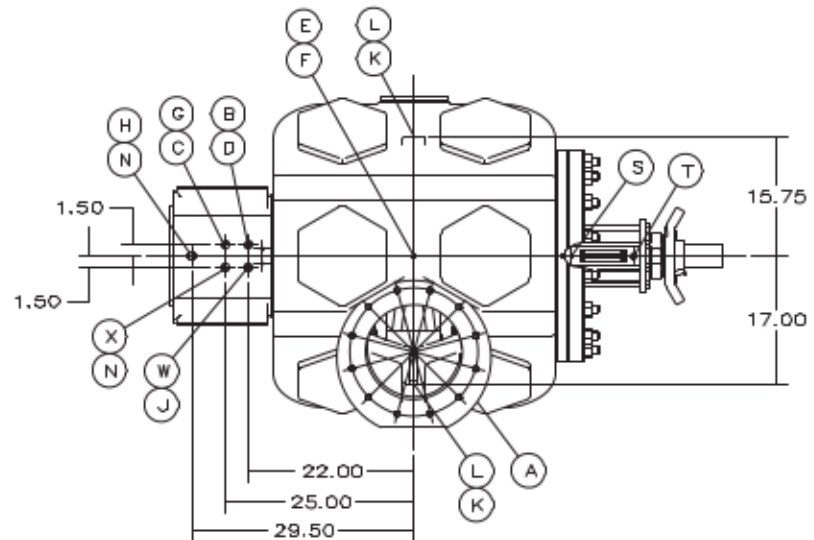
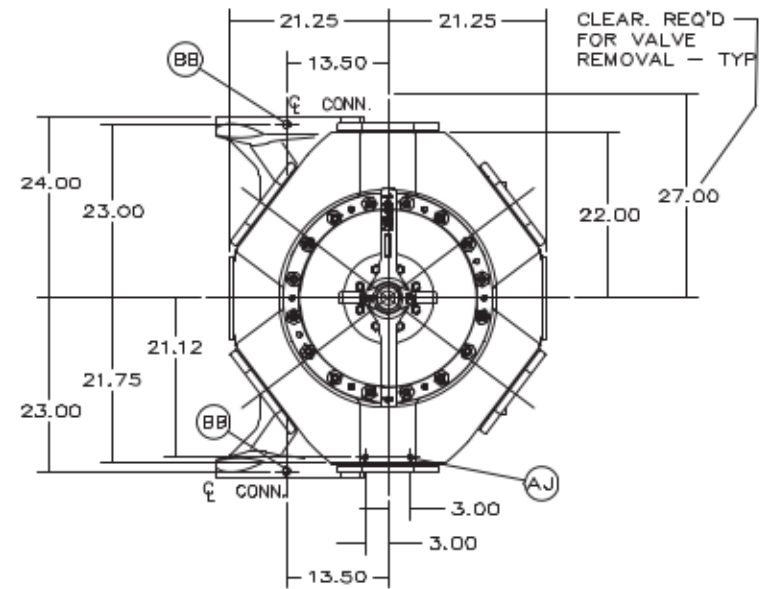
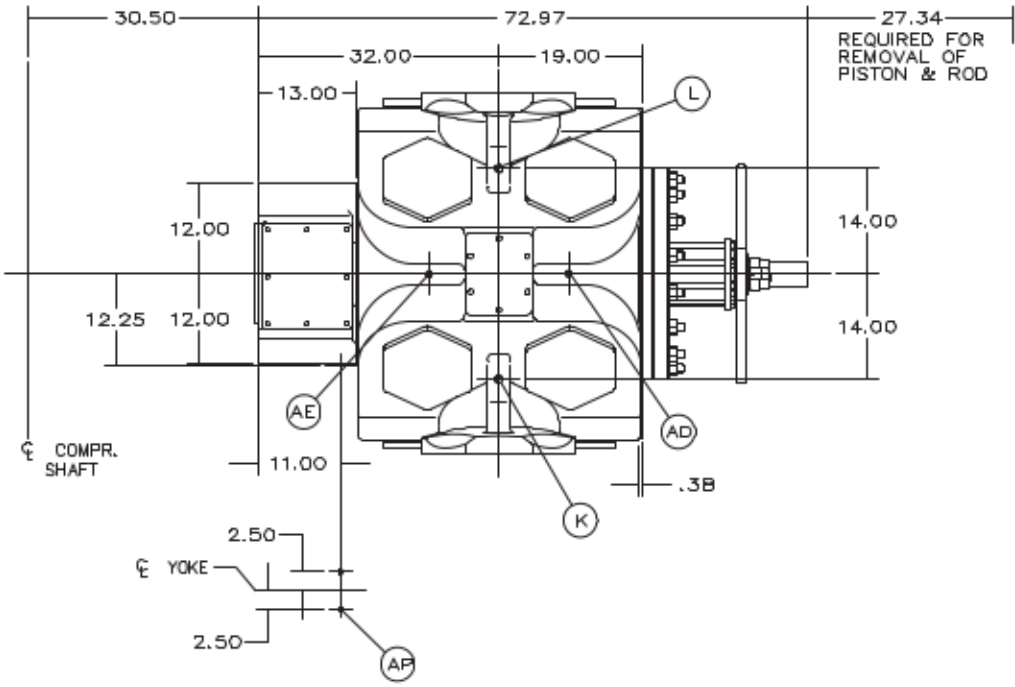


REVISIONS				
ZONE	REV	DESCRIPTION	DATE	APPROVED



- A) 12.00"-150# FF FLANGE CONN-INLET TOP & DISCH BOTTOM
12-.875 BOLTS ON 17.00 DIA B.C. 20.50 FLANGE DIA
- B) .25 NPT --- PACKING LUBE CONN ----- TOP
- C) .25 NPT --- PACKING VENT/DRAIN CONN ----- BOTTOM
- D) .75 NPT --- YOKE DRAIN CONN ----- BOTTOM
- E) .25 NPT --- CYL BORE LUBE CONN ----- TOP
- F) .25 NPT --- CYL BORE LUBE CONN ----- BOTTOM
- G) .75 NPT --- YOKE VENT/PURGE CONN (IF REQUIRED)----- TOP
- H) .38 NPT --- PACKING COOLANT OUT CONN (IF REQUIRED)--- TOP
- J) .38 NPT --- PACKING COOLANT IN CONN (IF REQUIRED)--- BOTTOM
- K) .75 NPT --- CYL COOLANT INLET CONN (IF REQUIRED)--- BOTTOM
- L) .75 NPT --- CYL COOLANT DISCH CONN (IF REQUIRED)--- TOP
- N) .75 NPT --- SPARE CONN ----- TOP OR BOT
- S) .125 NPT --- VVCP ROD PKG VENT TO NON-HAZ AREA ----- TOP
- T) .125 NPT --- GREASE FITTING ----- TOP
- W) .25 NPT --- SCRAPER PURGE CONN (IF REQUIRED)----- TOP
- X) .25 NPT --- PACKING PURGE CONN (IF REQUIRED)----- TOP
- AD) .50 NPT --- OUTER END INDICATOR CONN ----- SIDE
- AE) .50 NPT --- FRAME END INDICATOR CONN ----- SIDE
- AJ) .750-10UNC-3B THD, CYLINDER SUPPORT ----- BOTTOM SIDE
- AP) .625-11UNC-3B THD, YOKE SUPPORT ----- BOTTOM
- BB) .75 NPT --- RTD CONN. (IF REQUIRED)



TOTAL WEIGHT: APPROX. 6400 LBS.

CHG TO: 72 BO 149			
THIRD ANGLE PROJECTION	DATE	SIZE	STROKE
DRAWN K.DAVISON	00SEP08	23.00	ALL
CHECKED B.NIESSING	DATE	NAME OF PART	
APPROVED B.NIESSING	DATE	OUTLINE - CYLINDER W/VVCP	
UC PART	DATE	SIZE	FEDERAL SUPPLY CODE
		C	
		DWG NO.	REV.
		HIHO2311	00
		SCALE 1:12	WT.
		SHEET 1 OF 1	

DWG NO. HIHO2311 SH 1

2010-08-01