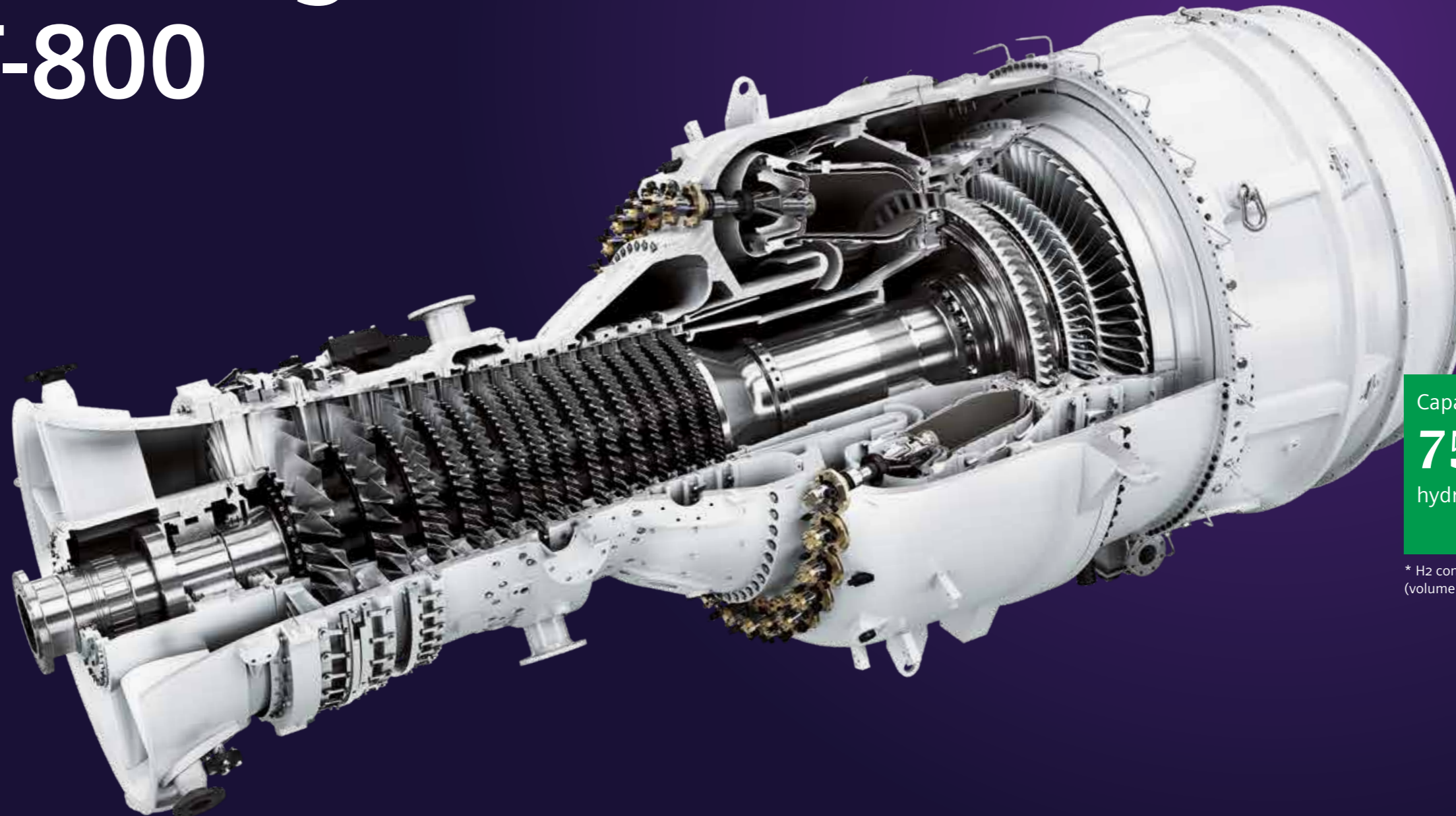



Industrial gas turbine SGT-800



Capable to burn
75%*
hydrogen 

* H₂ content in natural gas
(volume percent)

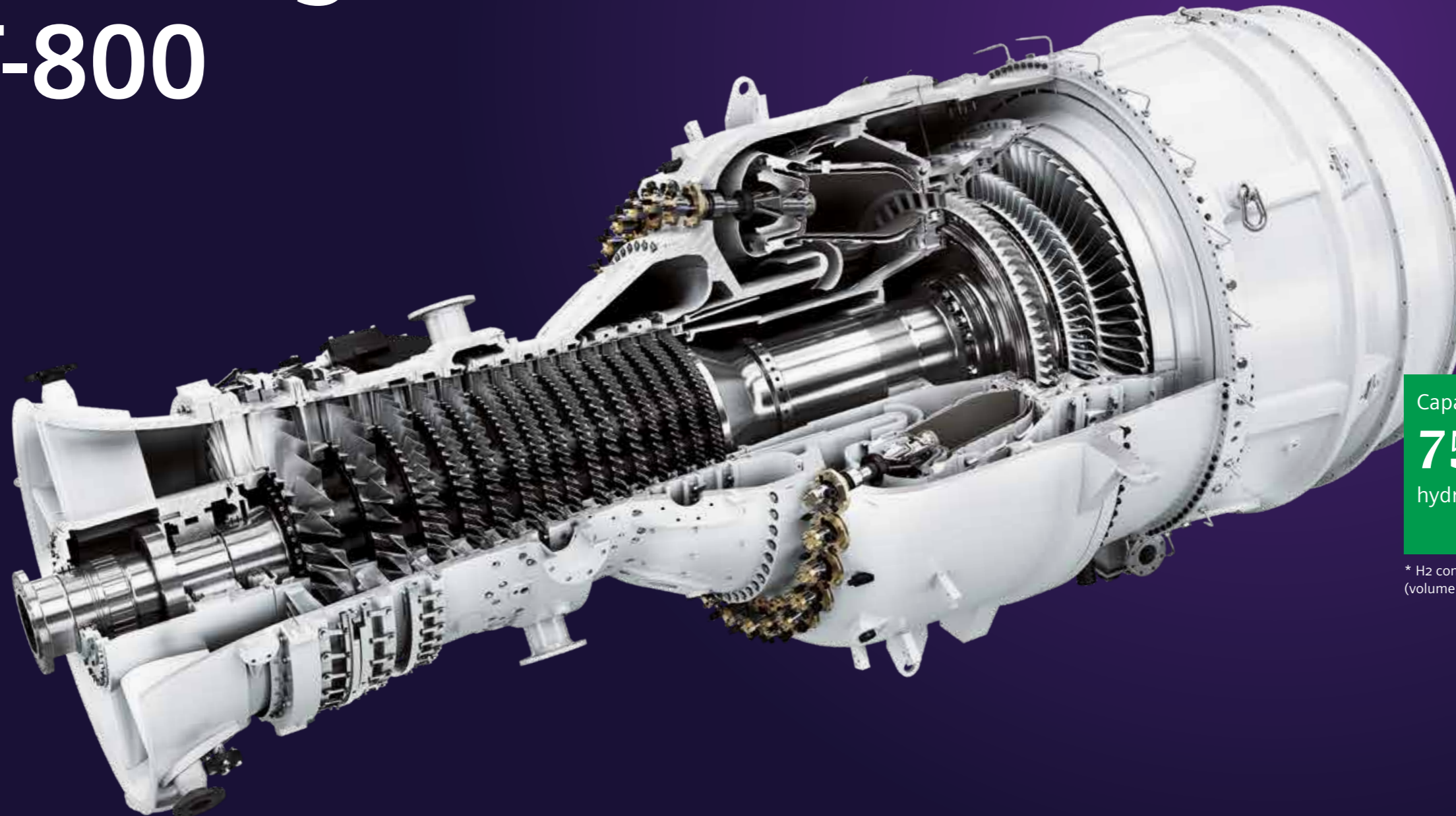



[siemens-energy.com/gasturbines](https://www.siemens-energy.com/gasturbines)

		50 MW	54 MW	56 MW	57 MW	62 MW
Gross efficiency	%	39.4	39.1	39.5	40.1	41.1
Heat rate	kJ/kWh	9,147	9,206	9,123	8,970	8,759
Turbine speed	rpm	6,600	6,600	6,600	6,600	6,600
Pressure ratio		19.8:1	21.6:1	22.0:1	22.0:1	21.1:1
Exhaust mass flow	kg/s	124.7	135.5	137.7	136.6	135.5
Exhaust temperature	°C	560	563	564	565	596

NOTE: All performance values are based on standard design, ISO ambient conditions and natural gas fuel.

Industrial gas turbine SGT-800



Capable to burn
75%*
hydrogen 

* H₂ content in natural gas
(volume percent)



[siemens-energy.com/gasturbines](https://www.siemens-energy.com/gasturbines)

		50 MW	54 MW	56 MW	57 MW	62 MW
Gross efficiency	%	39.4	39.1	39.5	40.1	41.1
Heat rate	Btu/kWh	8,670	8,725	8,647	8,502	8,302
Turbine speed	rpm	6,600	6,600	6,600	6,600	6,600
Pressure ratio		19.8:1	21.6:1	22.0:1	22.0:1	21.1:1
Exhaust mass flow	lb/s	274.9	298.7	303.6	301.1	298.7
Exhaust temperature	°F	1,041	1,045	1,047	1,049	1,104

NOTE: All performance values are based on standard design, ISO ambient conditions and natural gas fuel.