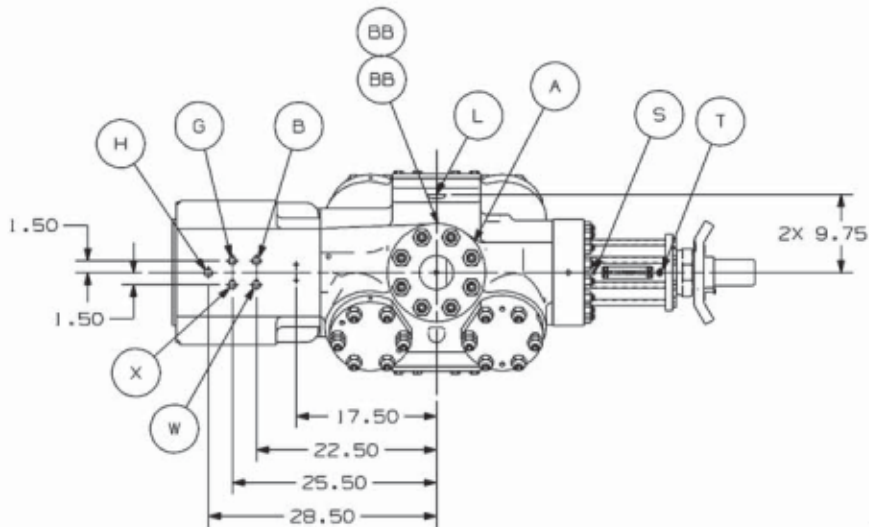
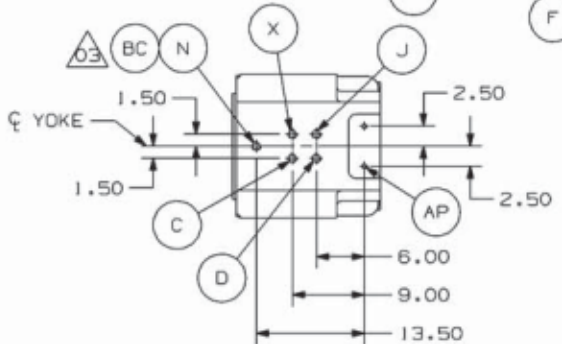
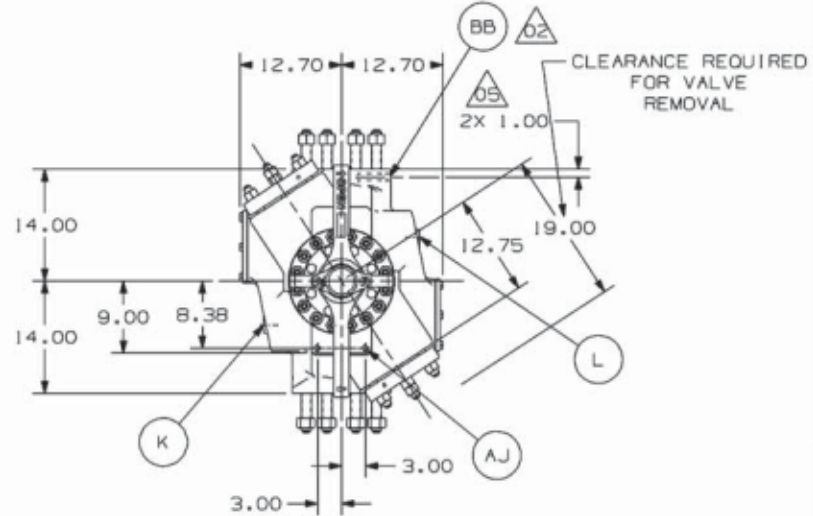
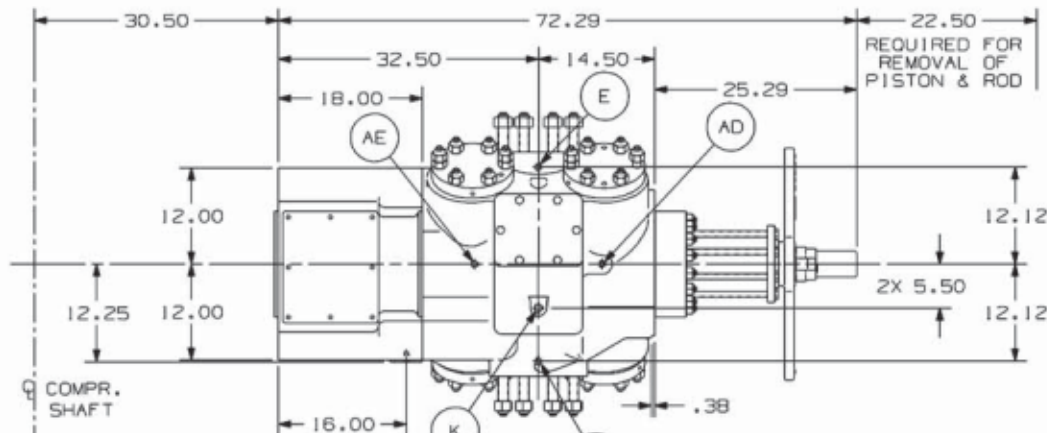


REVISIONS				
ZONE	REV	DESCRIPTION	DATE	APPROVED
	01	ADDED NOTE FOR "APPROX. WEIGHT" ECN:000202	30JUL08	KMD/BJN
	02	ADDED NOTE "BB" ECN:0060119	22APR09	DAB
	03	ADDED CONNECTION "BC" ECN:PPT110793 KMD	24MAR11	DAB
	04	ADDED "MAX. INSERTION DEPTH=6.75" TO CONN "BB" ECN:PPT110091 KMD	11APR11	DAB
	05	CHANGED INSERTION DEPTH AND MIN INSERTION DEPTH AND DIMENSION 2X1.00" ECN:PPT110091 KMD	01DEC11	JBS
	06	ADDED THREAD CALL OUT TO NOTE A1 "BUNC-3A" ECN:PPT1113112 BCD	12DEC11	JBS



- A) 4.00-1500# FF FLANGE CONN-INLET TOP & DISCH, BOTTOM
- B-1.250-BUNC-3A STUDS ON 9.500 DIA B.C. 12.25 FLANGE DIA
- B) .25 NPT -- PACKING LUBE CONN ----- TOP
- C) .25 NPT -- PACKING VENT/DRAIN CONN ----- BOTTOM
- D) .75 NPT -- YOKE DRAIN CONN ----- BOTTOM
- E) .25 NPT -- CYL BORE LUBE CONN ----- TOP
- F) .25 NPT -- CYL BORE LUBE CONN ----- BOTTOM
- G) .75 NPT -- YOKE VENT/PURGE CONN (IF REQUIRED) ----- TOP
- H) .38 NPT -- PACKING COOLANT OUT CONN (IF REQUIRED) ----- TOP
- J) .38 NPT -- PACKING COOLANT IN CONN (IF REQUIRED) ----- BOTTOM
- K) .75 NPT -- CYL COOLANT INLET CONN (IF REQUIRED) ----- BOTTOM
- L) .75 NPT -- CYL COOLANT DISCH CONN (IF REQUIRED) ----- TOP
- N) .75 NPT -- SPARE CONN ----- BOTTOM
- S) .125 NPT -- VVCP ROD PKG VENT TO NON-HAZ AREA ----- TOP
- T) .125 NPT -- GREASE FITTING ----- TOP
- W) .25 NPT -- SCRAPER PURGE CONN (IF REQUIRED) ----- TOP
- X) .25 NPT -- PACKING PURGE CONN (IF REQUIRED) ----- TOP
- AD) .50 NPT -- OUTER END INDICATOR CONN ----- SIDE
- AE) .50 NPT -- FRAME END INDICATOR CONN ----- SIDE
- AJ) .750-10UNC-.38 THD, CYLINDER SUPPORT ----- BOTTOM
- AP) .625-11UNC-.38 YOKE SUPPORT ----- BOTTOM
- BB) .75 NPT -- RTD CONN, MAX INSERTION DEPTH- 4.50" --- TOP AND BOT  
MIN INSERTION DEPTH- 4.50" --- TOP AND BOT
- BC) .50 NPT -- PACKING RTD CONN (IF REQUIRED) ----- BOTTOM



01 APPROX. WEIGHT = 3000 LBS

CHG TO: 72 124 149

THIRD ANGLE PROJECTION		SIZE	STROKE	TYPE
DRAWN K.DAVISON	DATE 09APR09	7.00	ALL	HOS
CHECKED B.NIESSING	DATE 09APR09	NAME OF PART OUTLINE -7.00" CYLINDER 18" DP & W/ NEW STYLE VVCP		
APPROVED B.NIESSING	DATE 09APR09	SIZE C	FEDERAL SUPPLY CODE ---	DWG NO. HIH00759
SCALE 1:12		WT.	REV. 06	
SHEET 1 OF 1				

DWG NO. HIH00759  
SH 1