



Starting Reliability Package for SGT5-4000F Siemens Gas Turbines

Our top priority at Siemens Energy is to provide outstanding, responsive service solutions to help you improve your operating plant competitiveness and profitability. To assist you with achieving that goal, we offer the Starting Reliability Package that was designed as a highly reliable and flexible service solution.

Our product

The reliability and availability of power plants typically begins with the gas turbine start-up procedure. Siemens Engineering identified and analyzed the major components influencing the starting reliability. The Starting Reliability Package contains a bundle of several improvements e.g. regarding the ignition system, the draining of pipes and valves and the flame monitoring hardware.

Your benefits

The Starting Reliability Package can be a cost-effective means to help you improve the overall reliability, availability and flexibility of your operating plant.

Benefits can include:

- Increased starting reliability
- Increased gas turbine availability
- Improved operational safety.

The Starting Reliability Package features Siemens' state-of-the-art-technology and has been standard for new Siemens Gas Turbines of the frame type SGT5-4000F manufactured since 2010.



Comprehensive on-site field service

Performance Enhancement – Gas Turbine

Answers for energy.

SIEMENS

Scope of supply

The Starting Reliability Package from Siemens is just one of the many innovative modernization packages available.

Depending on the actual configuration of your gas turbine, the scope of this package can include:

- Installation of modified igniters
- Heat resistant igniter cable
- Exchange ignition cable holder
- New constant speed ignition logic
- Online ignition monitoring system
- Improved drying procedure after compressor offline washing
- Automatic draining system fuel gas
- Blow-off valves with larger actuator
- Modified flame monitoring system.

The Starting Reliability Package with the above mentioned scope of supply is applicable for the SGT5-4000F (V94.3A) and for the SGT6-4000F (V84.3A) frames and may be combined with other modernizations.

We recommend that the installation of this upgrade be performed at a major outage. Siemens Energy Service offers a full range of field service capabilities to help you manage your maintenance and outage schedules.

References

More than 15 units of frame type SGT5-4000F (V94.3A) have been successfully retrofitted worldwide with the features of the Starting Reliability Package.*)

Examples include:

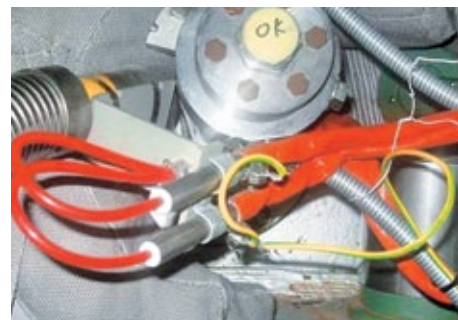
- Two units in Austria
- One unit in Belgium
- Three units in Israel
- Two units in Russia
- Four units in the United Arab Emirates
- Two units in Vietnam.

Two units of frame type SGT6-4000F (V84.3A) have been retrofitted in Japan.*)

*) As of March 2012



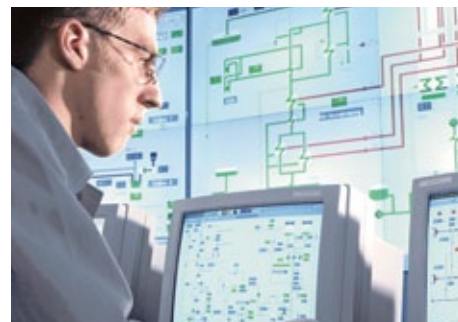
Modified ignition system



Ignition cable holder

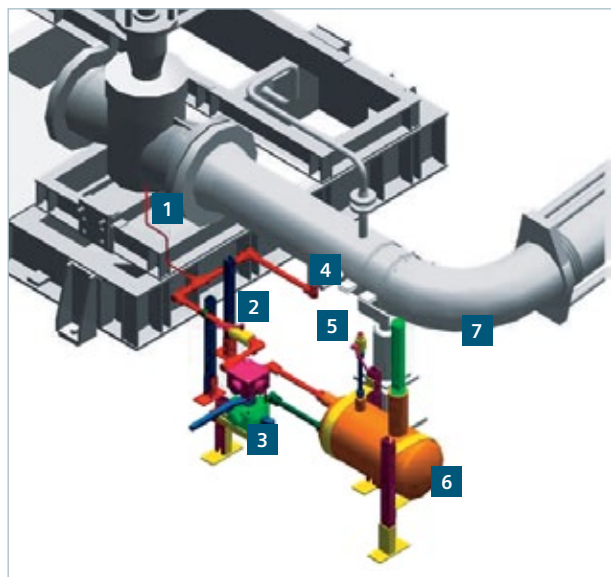


Enhanced combustion technology



Automatic monitoring system

For more information please contact your local Siemens sales representative.



Automatic draining system

- 1 Drain pipe, control valve
- 2 Drain valve
- 3 Ball valve
- 4 Drain pipe, fuel gas
- 5 Vent valve
- 6 Tank
- 7 Pipe for fuel gas

Published by and copyright © 2012:
Siemens AG
Energy Sector
Freyeslebenstrasse 1
91058 Erlangen, Germany

Siemens Energy, Inc.
4400 Alafaya Trail
Orlando, FL 32826-2399, USA

For more information, please contact our Customer Support Center.
Phone: +49 180/524 70 00
Fax: +49 180/524 24 71
(Charges depending on provider)
E-mail: support.energy@siemens.com

Energy Service Division
Order No. E50001-G520-A446-X-7600
Printed in Germany
Dispo 34805, c4bs No. 7816, 7821
TH 258-120307 BR 460866 DB 06122.0

Printed on elementary chlorine-free bleached paper.

All rights reserved.
Trademarks mentioned in this document are the property of Siemens AG, its affiliates, or their respective owners.

Subject to change without prior notice.
The information in this document contains general descriptions of the technical options available, which may not apply in all cases. The required technical options should therefore be specified in the contract.