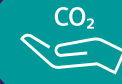


Footprint Revamp

Applicable fleet: Industrial Radial, Gas Trans Pipeline



Increase efficiency



Up to 30% less
CO₂
per year

Product Overview

The process requirements have changed over the years and the compressor is no longer working in the optimal operation point anymore or cannot accomplish desired future operation points. The footprint compressor is the choice if the casing of the existing compressor cannot meet the new requirements for space, materials or pressure.



Improved Features

- New compressor with state-of-the-art design matching the process nozzles of the existing compressor
- Tailored to match process and efficiency goals



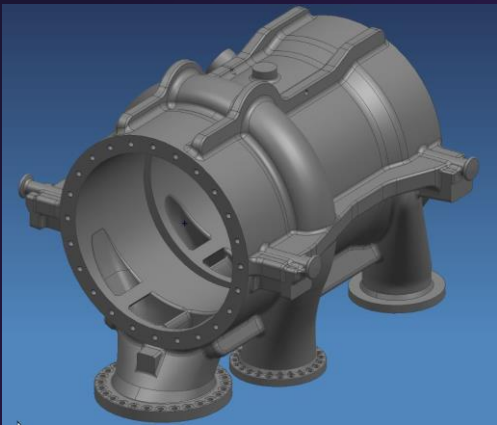
Benefits

- Up to 30% efficient increase, i.e., up to 30% less power required
- Up to 30% CO₂ emissions reduction
- Easy replacement of the current compressor
- Easy and quick installation at site
- Retaining existing interfaces as much as possible
- Fit for future operation points



Scope of work & Implementation

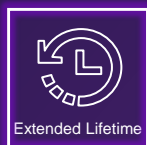
- New footprint compressor
- New pre-fabricated interconnecting auxiliaries piping in plug&play design possible
- Modernization of auxiliaries, controls and drive possible



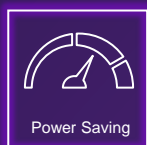
Reliability



Efficiency



Extended Lifetime



Power Saving