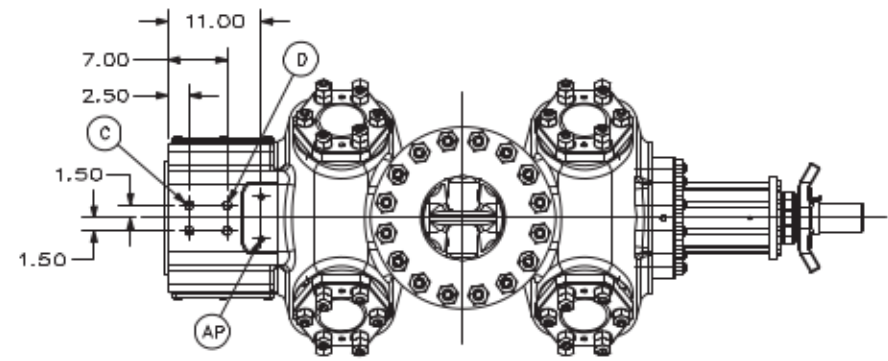
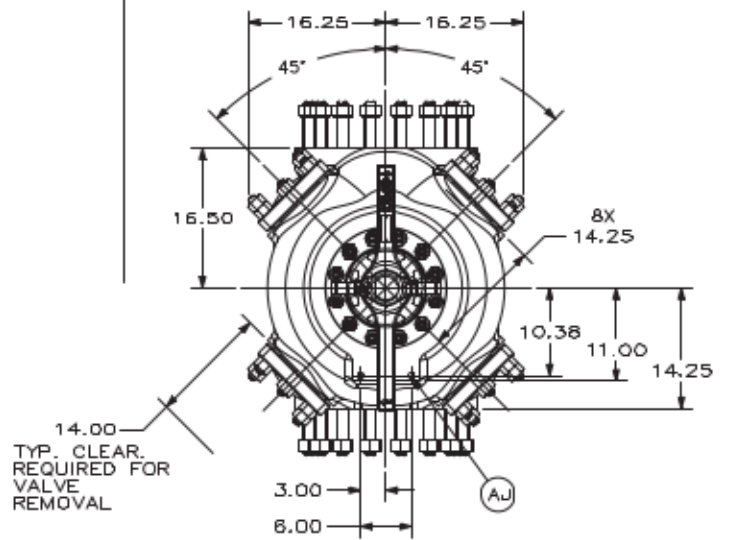
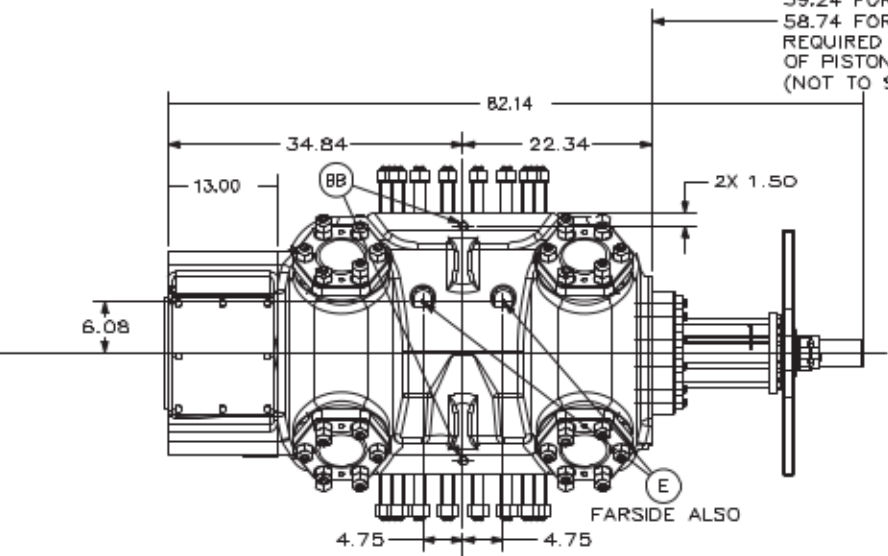


- A) 10.00"-900# FF FLANGE CONN-INLET/TOP & DISCH./BOTTOM
 18-1.375-BUN-3A STUDS ON @18.500 B.C.-@21.50 FLANGE
 B) .25 NPT --- PACKING LUBE CONN ----- TOP
 C) .25 NPT --- PACKING VENT/DRAIN CONN ----- BOTTOM
 D) .75 NPT --- YOKE DRAIN/PURGE CONN (IF REQUIRED)----- BOTTOM
 E) .25 NPT --- CYL BORE LUBE CONN ----- TOP
 G) .75 NPT --- YOKE VENT CONN ----- TOP
 S) .125 NPT --- VVCP ROD PKG VENT TO NON-HAZ AREA --- TOP
 T) .125 NPT --- GREASE FITTING ----- TOP
 AD) .50 NPT --- OUTER END INDICATOR CONN ----- TOP
 AE) .50 NPT --- FRAME END INDICATOR CONN ----- TOP
 AJ) .750-10UNC-3B THD, CYLINDER SUPPORT ----- BOTTOM END
 AP) .625-11UNC-3B YOKE SUPPORT ----- BOTTOM
 BB) .75 NPT --- RTD CONN. (IF REQUIRED)(MAX. INSERTION DEPTH-14.25")

REVISIONS				
ZONE	REV	DESCRIPTION	DATE	APPROVED

59.74 FOR 5" STROKE
 59.24 FOR 6" STROKE
 58.74 FOR 7" STROKE
 REQUIRED FOR REMOVAL
 OF PISTON & ROD
 (NOT TO SCALE)



TOTAL WEIGHT: APPROX 5350 LBS.

CHG TO: 72 124 149				
THIRD ANGLE PROJECTION		SIZE	STROKE	TYPE
DRAWN K.DAVISON		8.50-10.50	5.0/6.0/7.0	HOS
CHECKED B.BENNETT		NAME OF PART OUTLINE - HP/PIPELINE CYLINDER		
APPROVED B.BENNETT		SIZE	FEDERAL SUPPLY CODE	DWG NO.
PART		C		HHH00B51
		SCALE	WT. ABOVE	REV.
		3/32		00
				SHEET 1 OF 1

DWG NO. HHH00B51 SH 1

FORM NUMBER-08