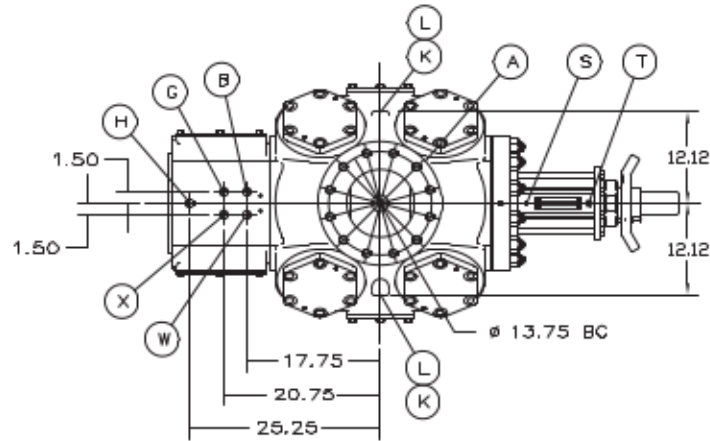
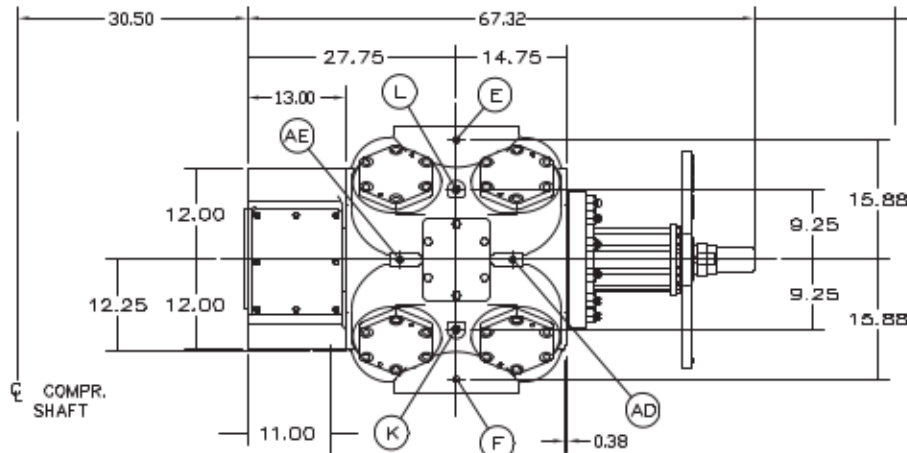


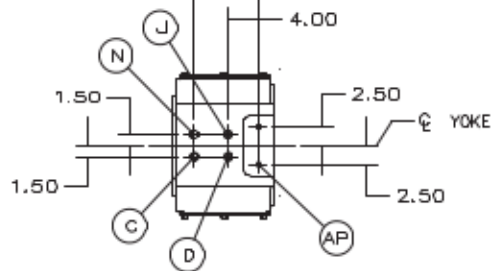
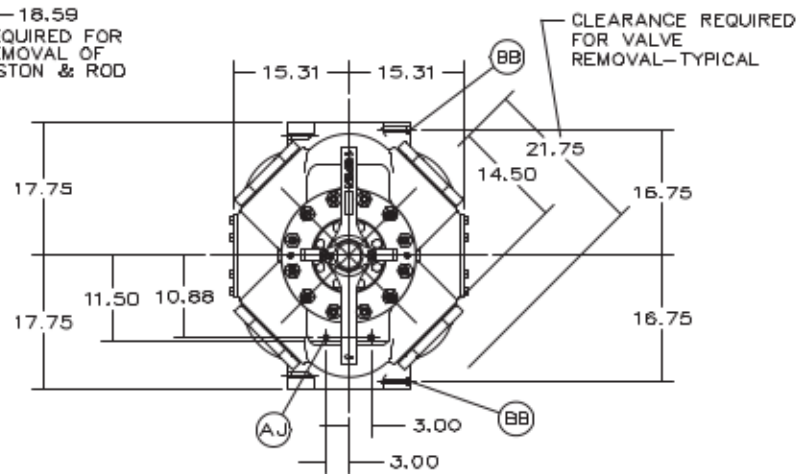
REVISIONS				
ZONE	REV	DESCRIPTION	DATE	APPROVED



- A) 8.00"-600# FF FLANGE CONN-INLET/TOP & DISCH./BOTTOM
12-1.125-BUN-3A STUDS ON 13.750 DIA B.C.-16.500 FLG DIA
- B) .25 NPT --- PACKING LUBE CONN ----- TOP
- C) .25 NPT --- PACKING VENT/DRAIN CONN ----- BOTTOM
- D) .75 NPT --- YOKE DRAIN CONN ----- BOTTOM
- E) .25 NPT --- CYL BORE LUBE CONN ----- TOP
- F) .25 NPT --- CYL BORE LUBE CONN ----- BOTTOM
- G) .75 NPT --- YOKE VENT/PURGE CONN (IF REQUIRED)----- TOP
- H) .38 NPT --- PACKING COOLANT OUT CONN (IF REQUIRED)----- TOP
- J) .38 NPT --- PACKING COOLANT IN CONN (IF REQUIRED)----- BOTTOM
- K) .75 NPT --- CYL COOLANT INLET CONN (IF REQUIRED)----- BOTTOM
- L) .75 NPT --- CYL COOLANT DISCH CONN (IF REQUIRED)----- TOP
- N) .75 NPT --- SPARE CONN ----- BOTTOM
- S) .125 NPT --- VVCP ROD PKG VENT TO NON-HAZ AREA ----- TOP
- T) .125 NPT --- GREASE FITTING ----- TOP
- W) .25 NPT --- SCRAPER PURGE CONN (IF REQUIRED)----- TOP
- X) .25 NPT --- PACKING PURGE CONN (IF REQUIRED)----- TOP
- AD) .50 NPT --- OUTER END INDICATOR CONN ----- BOTH SIDES
- AE) .50 NPT --- FRAME END INDICATOR CONN ----- BOTH SIDES
- AJ) .750-10UNC-3B THD, CYLINDER SUPPORT ----- BOTTOM END
- AP) .625-11UNC-3B THD, YOKE SUPPORT ----- BOTTOM
- BB) .75 NPT --- RTD CONN. (IF REQUIRED)



18.59
REQUIRED FOR
REMOVAL OF
PISTON & ROD



TOTAL WEIGHT: APPROX. 3800 LBS.

CHG TO: 72 124 149				
		SIZE	STROKE	TYPE
THIRD ANGLE PROJECTION		12.25	5/6/7.00	HOS
DRAWN	DATE	NAME OF PART		
K.DAVISON	28AU008	OUTLINE - 12.25" CYLINDER		
CHECKED	DATE	SIZE	FEDERAL SUPPLY CODE	DWG NO.
B.NIESSING	28AU009	C		HIHO1252
APPROVED	DATE	WT.	DWG NO.	REV.
B.NIESSING	28AU009		HIHO1252	00
UC PART		SCALE 1:12	WT.	SHEET 1 OF 1

DWG NO. HIHO1252 SH 1

28-3800-1001