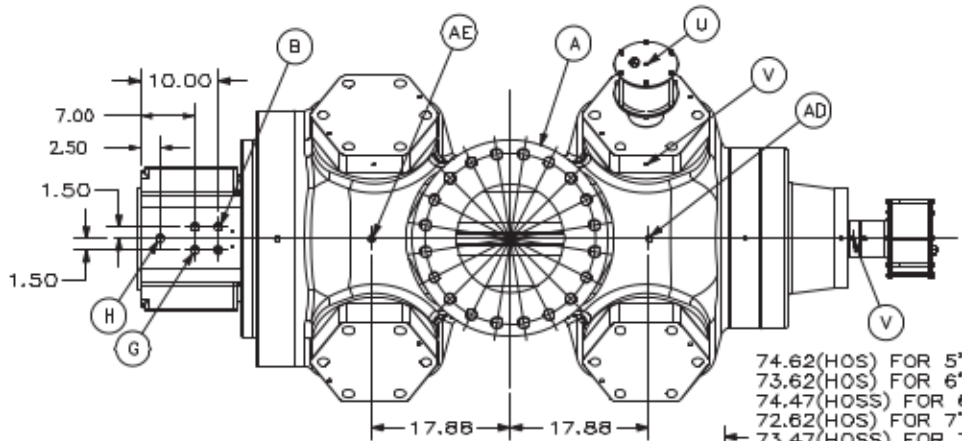
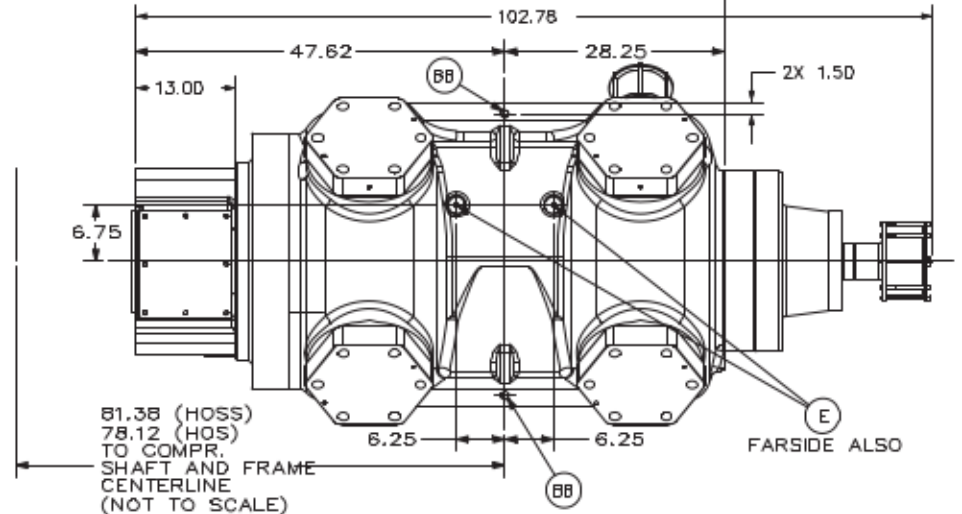


REVISIONS				
ZONE	REV	DESCRIPTION	DATE	APPROVED



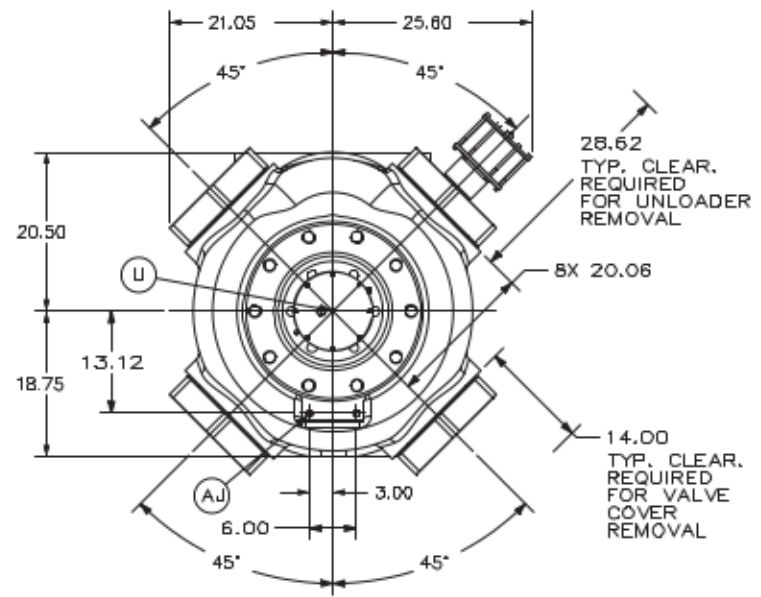
- A) 14.00"-900# FF FLANGE CONN-INLET/TOP AND DISCHARGE/BOTTOM
20X-1.500 STUDS ON @22.000 B.C. @25.25 FLANGE
- B) .25 NPT PACKING LUBE CONN ----- TOP
- C) .25 NPT PACKING VENT/DRAIN CONN ----- BOTTOM
- D) .75 NPT YOKE DRAIN/PURGE CONN ----- BOTTOM
- E) .25 NPT CYLINDER LUBE CONN (4X) ----- TOP
- G) .75 NPT YOKE VENT CONN ----- TOP
- H) .38 NPT PACKING COOLANT OUT CONN (IF REQUIRED) TOP
- J) .38 NPT PACKING COOLANT IN CONN (IF REQUIRED)- BOTTOM
- U) .25 NPT UNLOADER AIR CONN
- V) .25 NPT UNLOADER VENT TO NON-HAZARDOUS AREA --- TOP
- AD) .50 NPT OUTER END INDICATOR CONN ----- TOP
- AE) .50 NPT FRAME END INDICATOR CONN ----- TOP
- AJ) .750-10UNC-3B THD CYL. SUPPORT ----- BOTTOM SIDE
- AP) .625-11UNC-3B THD YOKE SUPPORT ----- BOTTOM
- BB) .75 NPT RTD CONN. (IF REQUIRED) (MAX. INSERTION DEPTH-18.56")
(MIN. INSERTION DEPTH-5.56")

74.62(HOS) FOR 5" STROKE
 73.62(HOS) FOR 6" STROKE
 74.47(HOSS) FOR 6" STROKE
 72.62(HOS) FOR 7" STROKE
 73.47(HOSS) FOR 7" STROKE
 REQUIRED FOR REMOVAL
 OF PISTON & ROD
 (NOT TO SCALE)



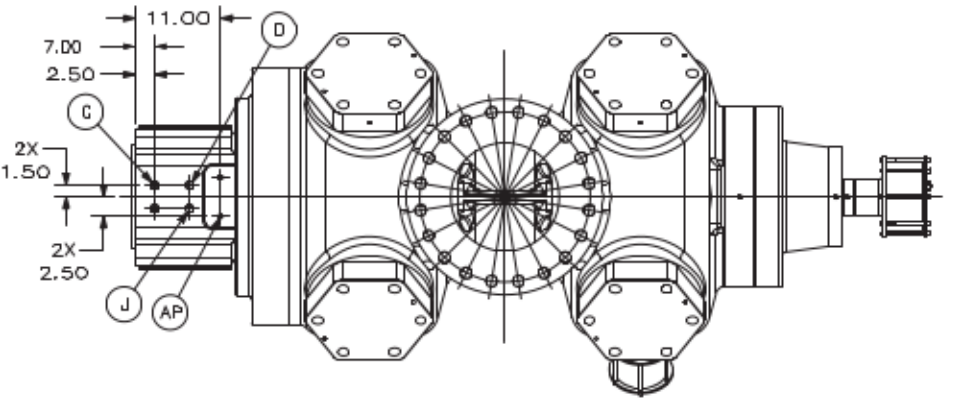
81.38 (HOSS)
 78.12 (HOS)
 TO COMPR.
 SHAFT AND FRAME
 CENTERLINE
 (NOT TO SCALE)

FAR SIDE ALSO



28.62
 TYP. CLEAR.
 REQUIRED
 FOR UNLOADER
 REMOVAL

14.00
 TYP. CLEAR.
 REQUIRED
 FOR VALVE
 COVER
 REMOVAL



TOTAL WEIGHT: APPROX 12025 LBS.

CHG TO: 149				
THIRD ANGLE PROJECTION		SIZE 14.00-16.50	STROKE 5.0/6.0/7.0	TYPE HOS/HOSS
DRAWN K. DAVISON	DATE 21MAR11	NAME OF PART		
CHECKED B. BENNITT	DATE 21MAR11	OUTLINE - HP/PIPELINE CYLINDER		
APPROVED B. BENNITT	DATE 21MAR11	SIZE C	FEDERAL SUPPLY CODE	DWG NO. HHHO1471
PART		SCALE 1:12	WT. ABOVE	REV. 00
		SHEET 1 OF 1		

DWG NO. HHHO1471 SR 1

FORM FLANGE-40/82