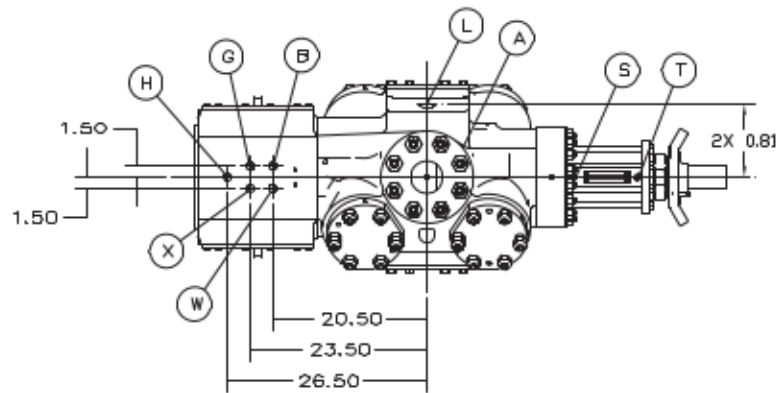
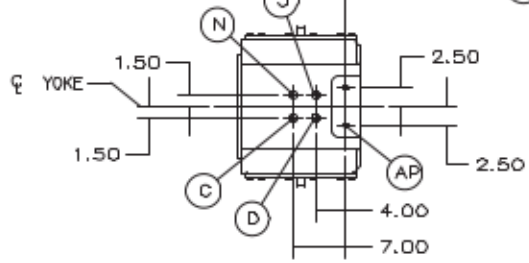
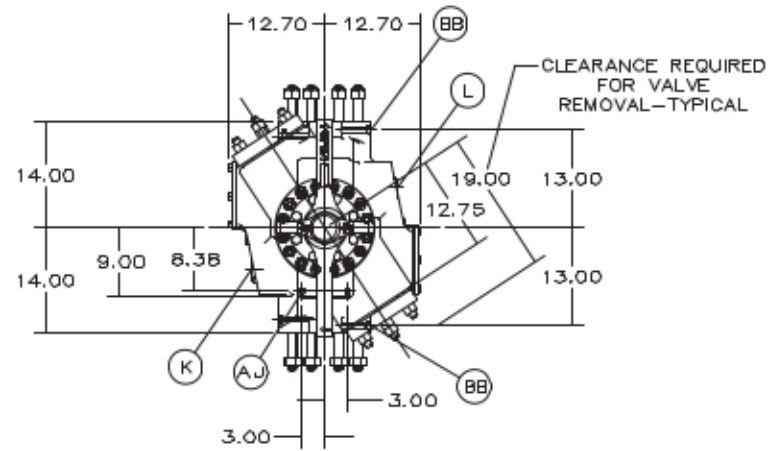
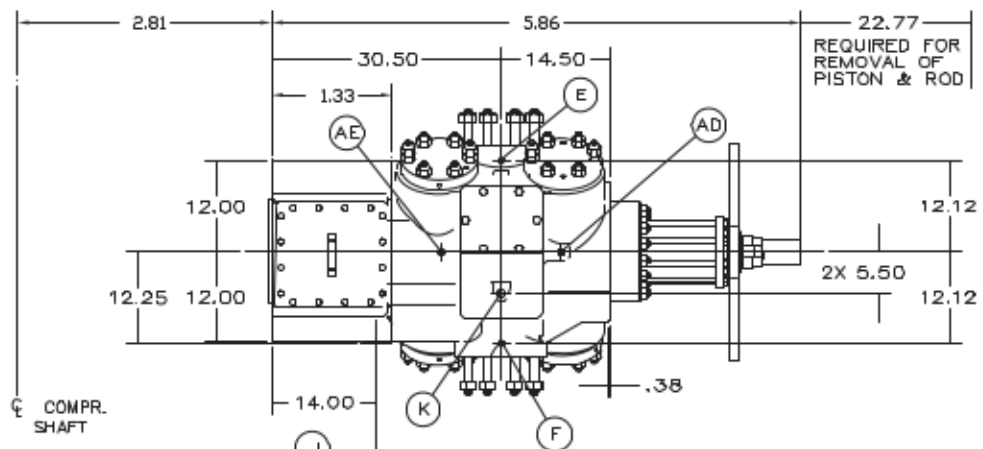


REVISIONS				
ZONE	REV	DESCRIPTION	DATE	APPROVED



- A) 4.00-1500# FF FLANGE CONN-INLET TOP & DISCH. BOTTOM
- B)-1.250 STUDS ON 9.500 DIA B.C. 12.25 FLANGE DIA
- B) .25 NPT --- PACKING LUBE CONN ----- TOP
- C) .25 NPT --- PACKING VENT/DRAIN CONN ----- BOTTOM
- D) .75 NPT --- YOKE DRAIN CONN ----- BOTTOM
- E) .25 NPT --- CYL BORE LUBE CONN ----- TOP
- F) .25 NPT --- CYL BORE LUBE CONN ----- BOTTOM
- G) .75 NPT --- YOKE VENT/PURGE CONN (IF REQUIRED) ----- TOP
- H) .38 NPT --- PACKING COOLANT OUT CONN (IF REQUIRED) --- TOP
- J) .38 NPT --- PACKING COOLANT IN CONN (IF REQUIRED) ----- BOTTOM
- K) .75 NPT --- CYL COOLANT INLET CONN (IF REQUIRED) ----- BOTTOM
- L) .75 NPT --- CYL COOLANT DISCH CONN (IF REQUIRED) ----- TOP
- N) .75 NPT --- SPARE CONN ----- BOTTOM
- S) .125 NPT --- VVCP ROD PKG VENT TO NON-HAZ AREA ----- TOP
- T) .125 NPT --- GREASE FITTING ----- TOP
- W) .25 NPT --- SCRAPER PURGE CONN (IF REQUIRED) ----- TOP
- X) .25 NPT --- PACKING PURGE CONN (IF REQUIRED) ----- TOP
- AD) .50 NPT --- OUTER END INDICATOR CONN ----- SIDE
- AE) .50 NPT --- FRAME END INDICATOR CONN ----- SIDE
- AJ) .750-10UNC-3B THD, CYLINDER SUPPORT ----- BOTTOM
- AP) .625-11UNC-3B YOKE SUPPORT ----- BOTTOM
- BB) .75 NPT --- RTD CONN (IF REQUIRED)



APPROX. WEIGHT = 3000 LBS

CHG TO: 72 124 149				
		SIZE	STROKE	TYPE
DRAWN K.DAVISON		7.00	ALL	HOSS
CHECKED B.BENNITT		NAME OF PART OUTLINE -7.00" CYLINDER 16" DP & W/ NEW STYLE VVCP		
APPROVED B.BENNITT		SIZE	FEDERAL SUPPLY CODE	DWG NO. HIH00772
UG PART		C		REV. 00
		SCALE 1:12	WT.	SHEET 1 OF 1

DWG NO. HIH00772 SH 1

20-00000-000