

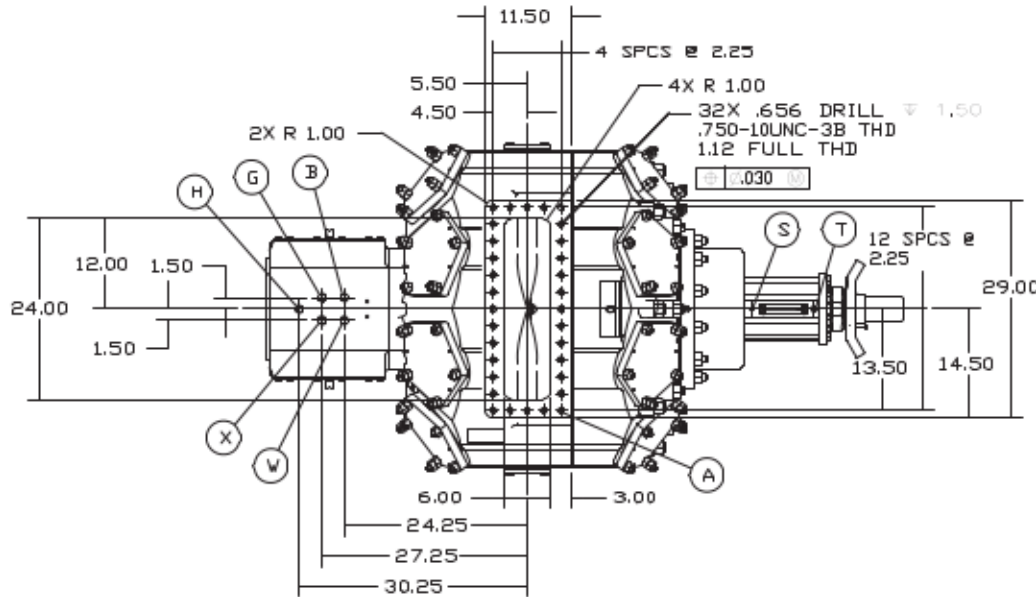
4

3

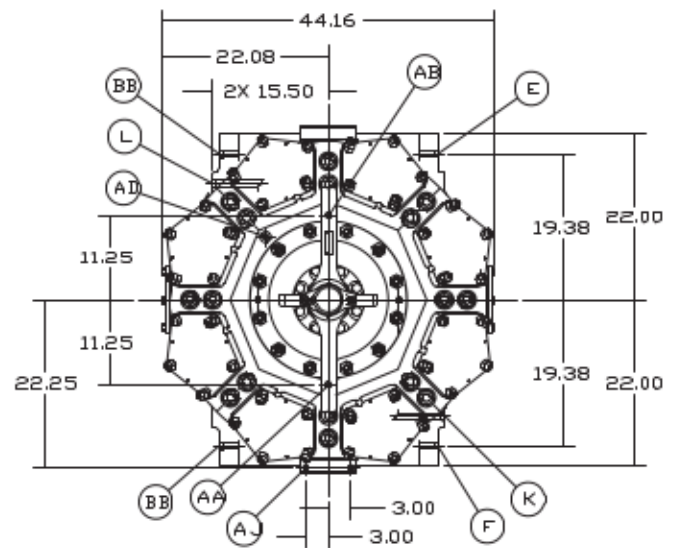
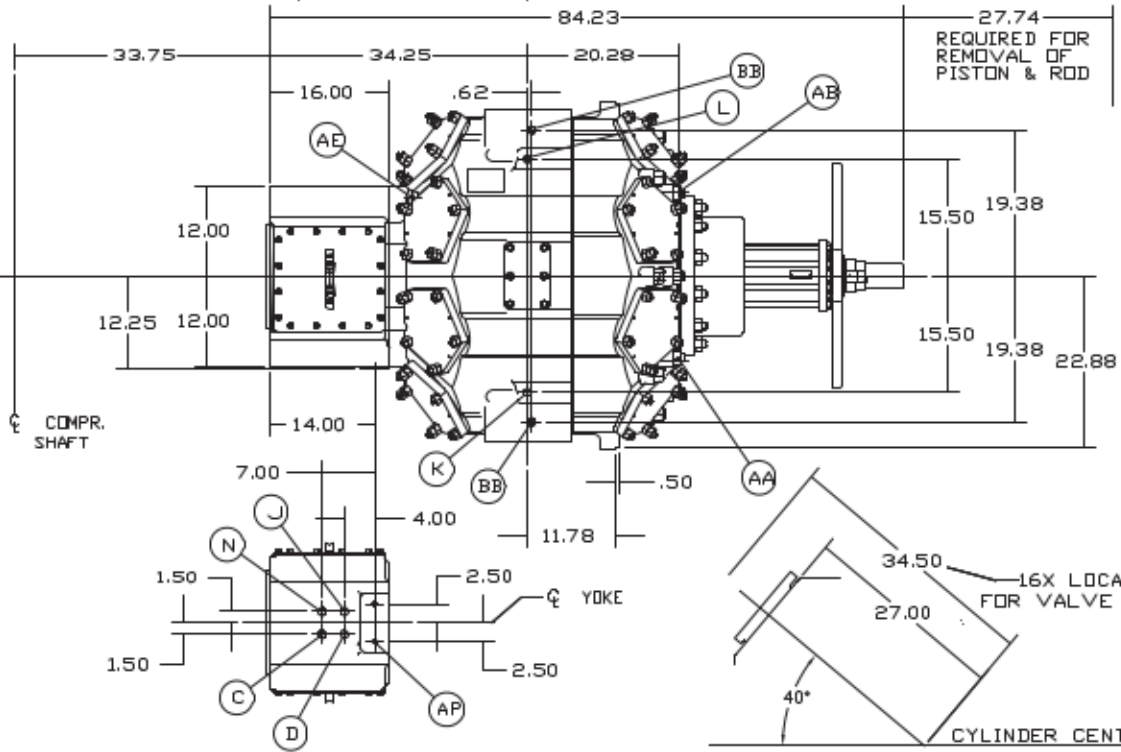
2

1

REVISIONS				
ZONE	REV	DESCRIPTION	DATE	APPROVED



- A) 64X .750-10UNC-3A(32 TOP & 32 BOTTOM) STUDS PROJECT 2.75 TOP INLET, BOT DISCHARGE (14.00) EQUIV. PIPE SIZE
- B) .25 NPT -- PACKING LUBE CONN ----- TOP
- C) .25 NPT -- PACKING VENT/DRAIN CONN ----- BOTTOM
- D) .75 NPT -- YOKE DRAIN CONN ----- BOTTOM
- E) .25 NPT -- CYL BORE LUBE CONN ----- TOP
- F) .25 NPT -- CYL BORE LUBE CONN ----- BOTTOM
- G) .75 NPT -- YOKE VENT/PURGE CONN (IF REQUIRED)----- TOP
- H) .38 NPT -- PACKING COOLANT OUT CONN (IF REQUIRED)---- TOP
- J) .38 NPT -- PACKING COOLANT IN CONN (IF REQUIRED)----- BOTTOM
- K) .75 NPT -- CYL COOLANT INLET CONN (IF REQUIRED)----- BOTTOM
- L) .75 NPT -- CYL COOLANT DISCH CONN (IF REQUIRED)----- TOP
- N) .75 NPT -- YOKE PURGE CONN (IF REQUIRED) ----- TOP
- S) .125 NPT -- VVCP ROD PKG VENT TO NON-HAZ AREA ----- TOP
- T) .125 NPT -- GREASE FITTING ----- TOP
- W) .25 NPT -- SCRAPER PURGE CONN (IF REQUIRED)----- TOP
- X) .25 NPT -- PACKING PURGE CONN (IF REQUIRED)----- TOP
- AA) .50 NPT -- OUTER HD COOLANT INLET CONN (IF REQ)----- BOTTOM
- AB) .50 NPT -- OUTER HD COOLANT DISCHARGE CONN (IF REQ)--- TOP
- AD) .50 NPT -- OUTER END INDICATOR CONN ----- SIDE
- AE) .50 NPT -- FRAME END INDICATOR CONN ----- SIDE
- AJ) .750-10UNC-3B THD, CYLINDER SUPPORT ----- BOTTOM END
- AP) .625-11UNC-3B THD, YOKE SUPPORT ----- BOTTOM
- BB) .75 NPT -- RTD CONN. (IF REQUIRED)



CHG TO: 72 124 149			
THIRD ANGLE PROJECTION	SIZE	STROKE	TYPE
DRAWN K.DAVIDSON DATE 18DEC08	26.00/26.50	6.00/7.00	HOSS
CHECKED B.NIENESSING DATE 18DEC08	NAME OF PART OUTLINE - CYLINDER		
APPROVED B.NIENESSING DATE 18DEC08	SCALE 1:16	FEDERAL SUPPLY CODE ---	DWG NO. HIH02672 REV. 00
US PART	WT. ---	SHEET 1 OF 1	

DWG NO HIH02672 SH 1

FORM NUMBER 09-08