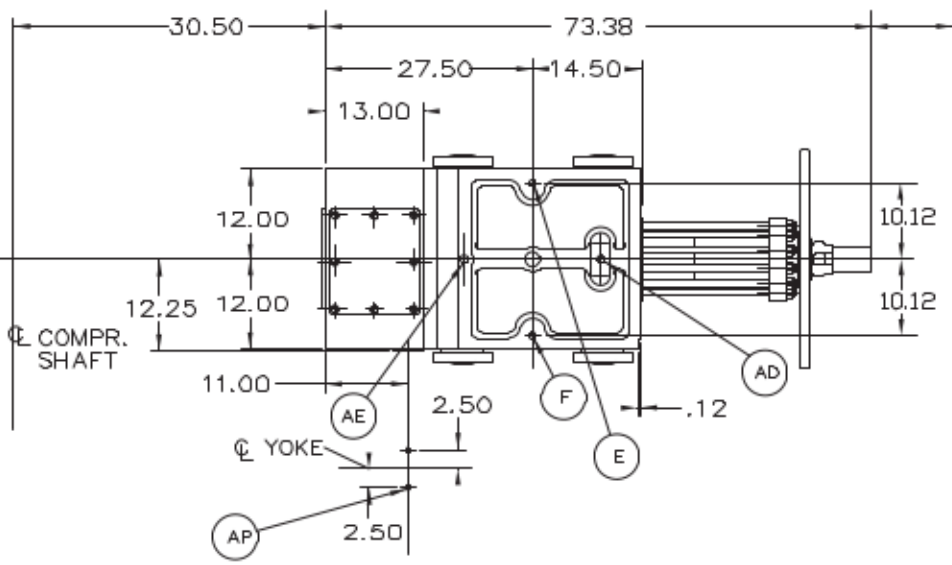
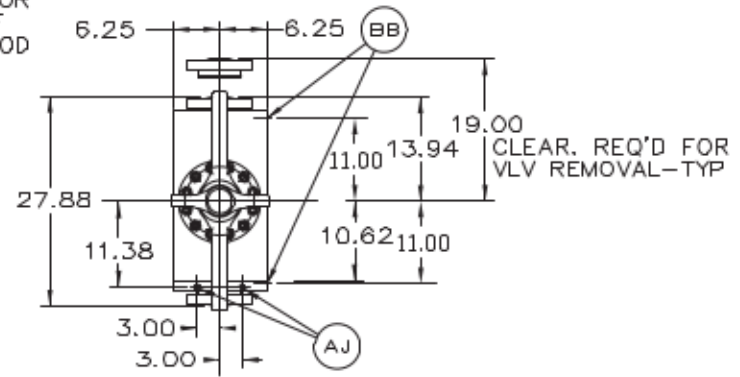


- A) 3.00-900# FF FLANGE CONN-INLET TOP & DISCH. BOTTOM
8- .875 STUDS ON 7.500 DIA B.C. 9.50 FLANGE DIA.
- B) .25 NPT --- PACKING LUBE CONN ----- TOP
- C) .25 NPT --- PACKING VENT/DRAIN CONN ----- BOTTOM
- D) .75 NPT --- YOKE DRAIN CONN----- BOTTOM
- E) .25 NPT --- CYL BORE LUBE CONN ----- TOP
- F) .25 NPT --- CYL BORE LUBE CONN----- BOTTOM
- G) .75 NPT --- YOKE VENT/PURGE CONN. (IF REQUIRED)----- TOP
- H) .38 NPT --- PACKING COOLANT OUT CONN.(IF REQUIRED)- TOP
- J) .38 NPT --- PACKING COOLANT IN CONN. (IF REQUIRED)- BOTTOM
- N) .75 NPT --- SPARE CONN. ----- TOP OR BOT
- S) .125 NPT --- VVCP ROD PKG VENT TO NON-HAZ AREA----- TOP
- T) .125 NPT --- GREASE FITTING----- TOP
- W) .25 NPT --- SCRAPER PURGE CONN (IF REQUIRED)----- TOP
- X) .25 NPT --- PACKING PURGE CONN (IF REQUIRED)----- TOP
- AD) .50 NPT --- OUTER END INDICATOR CONN -----SIDE
- AE) .50 NPT --- FRAME END INDICATOR CONN -----SIDE
- AJ) .750-10UNC-2B THD, CYLINDER SUPPORT ----- BOTTOM SIDE
- AP) .625-11UNC-2B YOKE SUPPORT ----- BOTTOM
- BB) .75 NPT --- RTD CONN (IF REQUIRED)



17.81
REQUIRED FOR
REMOVAL OF
PISTON & ROD



TOTAL WEIGHT: APPROX. 2200 LBS

CHG TO: 72 124 149		THIRD ANGLE PROJECTION		SIZE	STROKE	TYPE	
DRAWN	DATE	4.75	ALL	HOS			
K.DAVISON	020CT09	NAME OF PART					
CHECKED	DATE	OUTLINE - 4.75 CYLINDER GC					
B.BENNETT	020CT09	SIZE	FEDERAL SUPPLY CODE	DRAWING NO.	REV.		
APPROVED	DATE	C		HJH00404	-		
B.BENNETT	020CT09	UNLESS OTHERWISE SPECIFIED, ALL DIMENSIONS ARE IN INCHES			SCALE: 0.63:1	WT.	SHEET 1 OF 1

DWC NO. HJH00404 SH