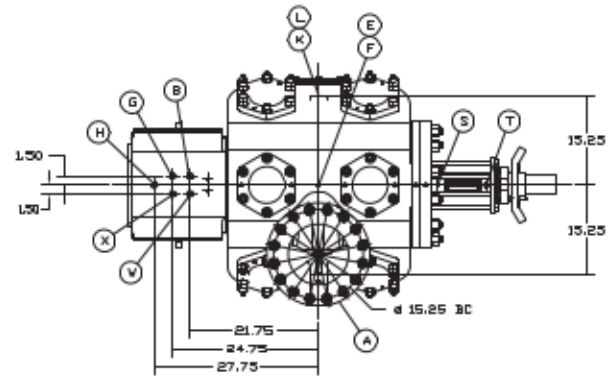
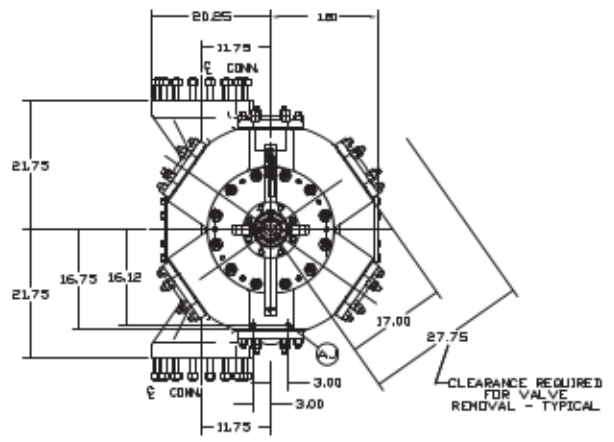
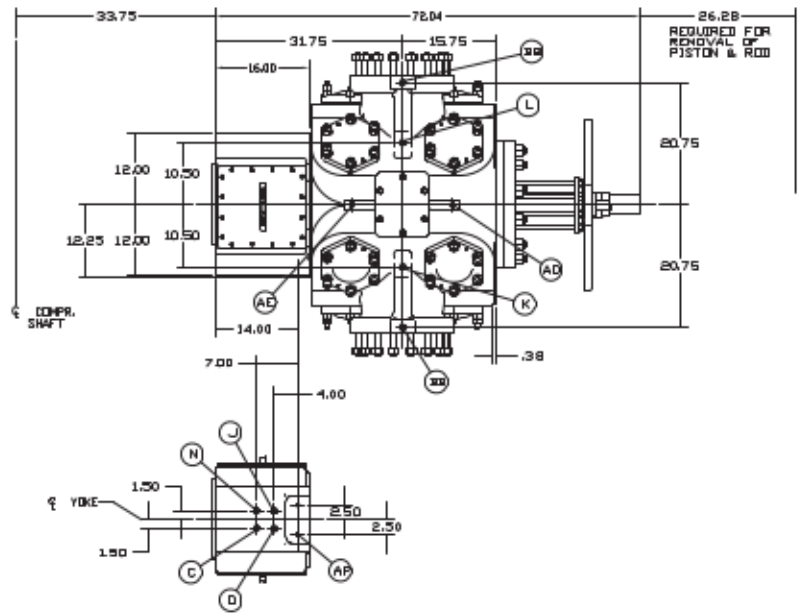


REV	NO	DESCRIPTION	DATE	APPROVED
	1			



- A) 10.00"-300M FF FLANGE CONN - INLET/TOP AND DISCH/BOTTOM
- B) 16-1.000 STUDS ON #15.250 B.C. #17.50 FLANGE
- B) .25 NPT -- PACKING LUBE CONN ----- TOP
- B) .25 NPT -- PACKING VENT/DRAIN CONN ----- BOTTOM
- C) .25 NPT -- YOKE DRAIN/PURGE CONN ----- BOTTOM
- D) .25 NPT -- CYLINDER LUBE CONN ----- TOP
- E) .25 NPT -- CYLINDER LUBE CONN ----- BOTTOM
- F) .25 NPT -- YOKE VENT CONN (OF REQ'D) ----- TOP
- G) .25 NPT -- PACKING COOLANT OUT (OF REQ'D) ----- TOP
- H) .25 NPT -- PACKING COOLANT IN (OF REQ'D) ----- BOTTOM
- K) .75 NPT -- CYL COOLANT INLET CONN (OF REQ'D) ----- BOTTOM
- L) .75 NPT -- CYL COOLANT DISCH CONN (OF REQ'D) ----- TOP
- N) .75 NPT -- SPARE CONNECTION ----- BOTTOM
- S) .25 NPT -- VVCP ROD PEG VENT TO NON-HAZ AREA ----- TOP
- T) .125 NPT -- GREASE FITTING ----- TOP
- V) .25 NPT -- SCRAPER PURGE CONN (OF REQ'D) ----- TOP
- W) .25 NPT -- PACKING PURGE CONN (OF REQ'D) ----- TOP
- AD) .50 NPT -- OUTER END INDICATOR CONN ----- BOTH SIDES
- AE) .50 NPT -- FRAME END INDICATOR CONN ----- BOTH SIDES
- AJ) .750-1UNC-3B THD. CYLINDER SUPPORT ----- BOTTOM END
- AP) .625-1UNC-3B THD. YOKE SUPPORT ----- BOTTOM
- BB) .75 NPT -- RTD CONNECTION (OF REQ'D)



TOTAL WEIGHT APPROX. 5500 LBS.

DHG TD 72 124 149		THIRD ANGLE PROJECTION		SIZE	STROKE	TYPE
DRAWN	DATE	16.25	6.00/7.00	HOSS		
K.DAVISON	18SEP08	NAME OF PART				
CHECKED	DATE	OUTLINE - CYLINDER W/VVCP				
B.BENNETT	10SEP08	SIZE	DWG NO.	REV.		
APPROVED	DATE	D	HIHQ1672	00		
B.BENNETT	18SEP08	SCALE	WT. ABOVE	SHEET	1 OF 1	
L3 PART						