

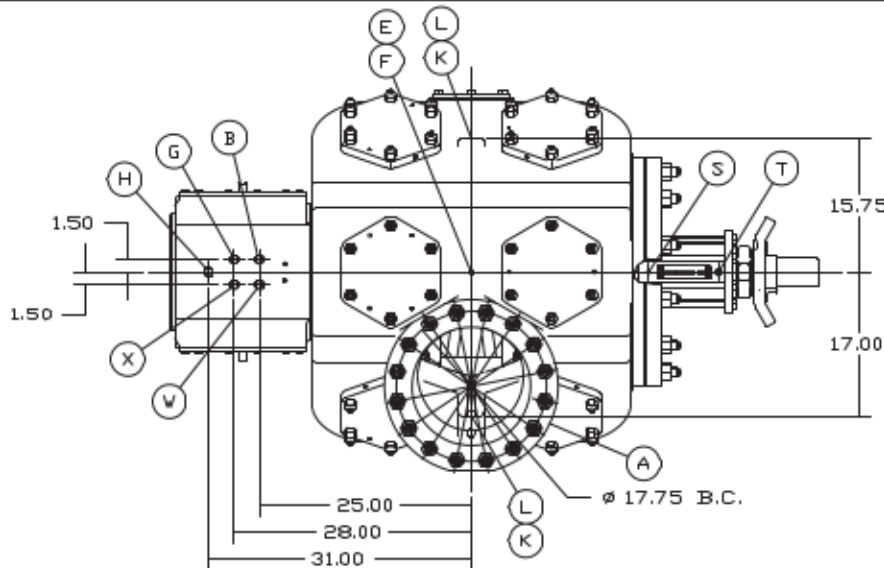
4

3

2

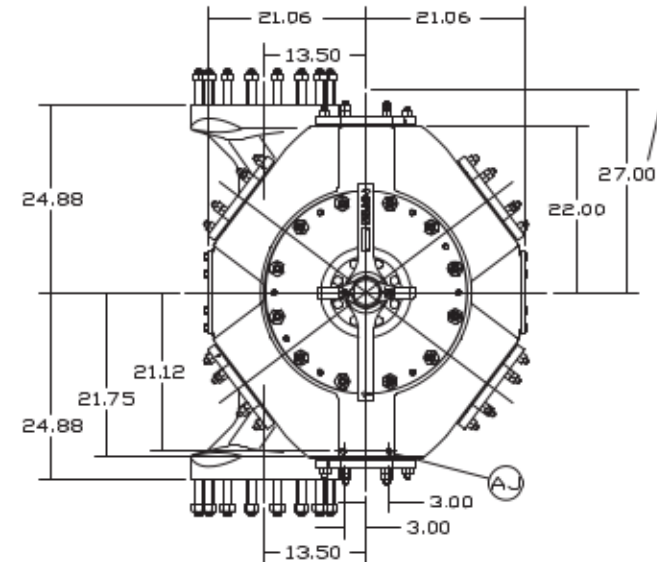
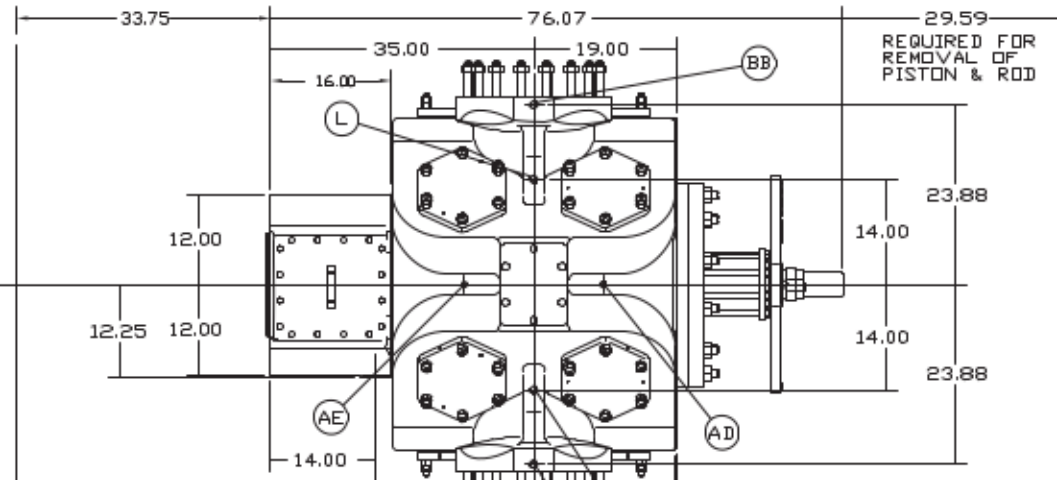
1

REVISIONS				
ZONE	REV	DESCRIPTION	DATE	APPROVED

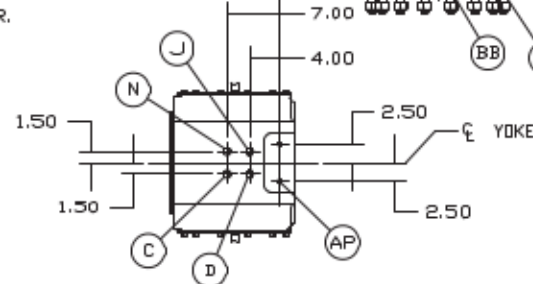


- A) 12.00"-300# FF FLANGE CONN-INLET TOP & DISCH BOTTOM
16-1.125 BOLTS ON 17.750 DIA B.C. 20.50 FLANGE DIA
- B) .25 NPT -- PACKING LUBE CONN ----- TOP
C) .25 NPT -- PACKING VENT/DRAIN CONN ----- BOTTOM
D) .75 NPT -- YOKE DRAIN CONN ----- BOTTOM
E) .25 NPT -- CYL BORE LUBE CONN ----- TOP
F) .25 NPT -- CYL BORE LUBE CONN ----- BOTTOM
G) .75 NPT -- YOKE VENT/PURGE CONN (IF REQUIRED)----- TOP
H) .38 NPT -- PACKING COOLANT OUT CONN (IF REQUIRED)--- TOP
J) .38 NPT -- PACKING COOLANT IN CONN (IF REQUIRED)--- BOTTOM
K) .75 NPT -- CYL COOLANT INLET CONN (IF REQUIRED)--- BOTTOM
L) .75 NPT -- CYL COOLANT DISCH CONN (IF REQUIRED)--- TOP
N) .75 NPT -- SPARE CONN ----- BOTTOM
S) .125 NPT -- VVCP ROD PKG VENT TO NON-HAZ AREA ----- TOP
T) .125 NPT -- GREASE FITTING ----- TOP
W) .25 NPT -- SCRAPER PURGE CONN (IF REQUIRED)----- TOP
X) .25 NPT -- PACKING PURGE CONN (IF REQUIRED)----- TOP
AD) .50 NPT -- OUTER END INDICATOR CONN ----- SIDE
AE) .50 NPT -- FRAME END INDICATOR CONN ----- SIDE
AJ) .750-10UNC-3B THD, CYLINDER SUPPORT ----- BOTTOM
AP) .625-11UNC-3B THD, YOKE SUPPORT ----- BOTTOM
BB) .75 NPT -- RTD CONN. (IF REQUIRED)

CLEARANCE REQUIRED
FOR VALVE
REMOVAL-TYPICAL



COMPR.
SHAFT



TOTAL WEIGHT: APPROX. 6500 LBS

CHG TO: 72 124 149

THIRD ANGLE PROJECTION		SIZE	STROKE	TYPE
		22.00	ALL	HOSS
DRAWN K.DAVIDSON	DATE 23 JUL 09	NAME OF PART OUTLINE - CYLINDER W/VVCP		
CHECKED B.BENNETT	DATE 21 JUL 09	SIZE C	FEDERAL SUPPLY CODE ---	DWG NO. HIH02274
APPROVED B.BENNETT	DATE 21 JUL 09	WT. ---	REV. 00	SHEET 1 OF 1
UG PART	SCALE 1:12			

DWG NO
HIH02274
SH 1

4

3

2

1