

4

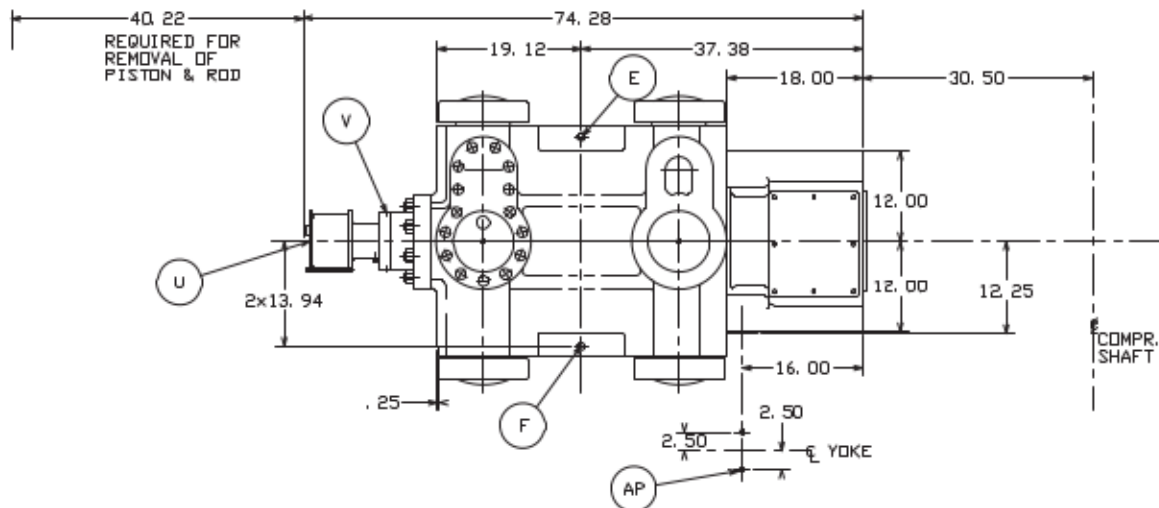
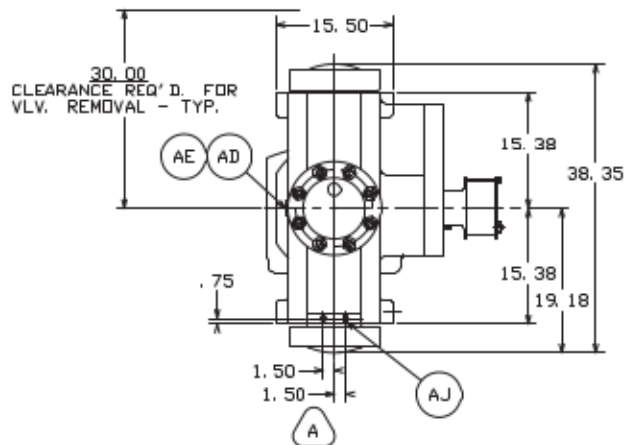
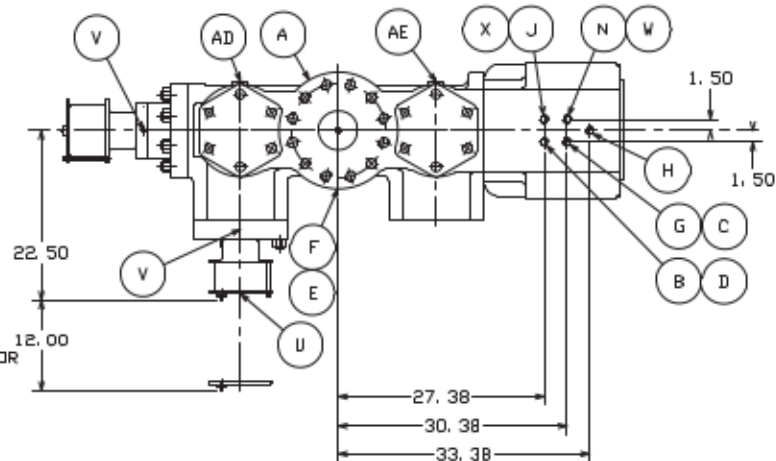
3

2

1

- A) 6.00-1500# FF FLANGE CONN-INLET TOP & DISCH, BOTTOM  
12-1.375 STUDS ON 12.500 DIA B.C. 15.50 FLANGE DIA
- B) .25 NPT --- PACKING LUBE CONN ----- TOP
- C) .25 NPT --- PACKING VENT/DRAIN CONN ----- BOTTOM
- D) .75 NPT --- YOKE DRAIN CONN----- BOTTOM
- E) .25 NPT --- CYL BORE LUBE CONN ----- TOP
- F) .25 NPT --- CYL BORE LUBE CONN ----- BOTTOM
- G) .75 NPT --- YOKE VENT/PURGE CONN. ----- TOP
- H) .38 NPT --- PACKING COOLANT OUT CONN. ----- TOP
- J) .38 NPT --- PACKING COOLANT IN CONN. ----- BOTTOM
- N) .75 NPT --- SPARE CONN. ----- TOP OR BOT
- R) .125 NPT--- VVCP HEAD VENT TO NON-HAZARDOUS AREA--- TOP OR BOT
- S) .125 NPT--- VVCP ROD PKG VENT TO NON-HAZ AREA--- TOP OR BOT
- T) .125 NPT--- GREASE FITTING----- TOP OR BOT
- U) .25 NPT --- AIR CONN. (<75 PSIG MIN.)
- V) .25 NPT --- UNLOADER VENT CONN. ----- TOP
- W) .25 NPT --- SCRAPER PURGE CONN (IF REQUIRED)----- TOP
- X) .25 NPT --- PACKING PURGE CONN (IF REQUIRED)----- TOP
- AD) .50 NPT --- OUTER END INDICATOR CONN ----- SIDE
- AE) .50 NPT --- FRAME END INDICATOR CONN ----- SIDE
- AJ) .750-10UNC-2B THD, CYLINDER SUPPORT ----- BOTTOM SIDE
- AP) .625-11UNC-2B YOKE SUPPORT ----- BOTTOM

REVISIONS				
ZONE	REV	DESCRIPTION	DATE	APPROVED



TOTAL WEIGHT: APPROX. 3200 LBS

CHG TO: 80 149				
		SIZE	STROKE	TYPE
THIRD ANGLE PROJECTION		7.00/8.00	ALL	HDS
DRAWN	DATE	NAME OF PART		
D. BENNITT	9 JAN 07	OUTLINE - 7.00"/8.00" STORAGE CYLINDER		
CHECKED	DATE	SIZE	FEDERAL SUPPLY CODE	DRAWING NO.
B. BENNITT	9 JAN 07	C		HAH00758
APPROVED	DATE	SCALE	WT.	REV.
D. BENNITT	9 JAN 07	1"=1"		-
UNLESS OTHERWISE SPECIFIED, ALL DIMENSIONS ARE IN INCHES				
		SHEET 1 OF 1		

DWG NO. HAH00758

SH 1

A